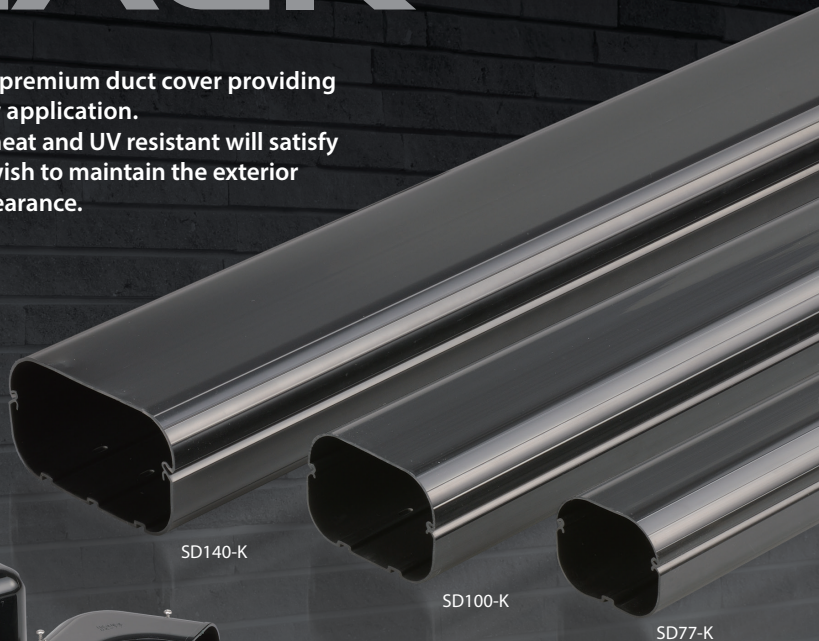


INABA DENKO

SLIMDUCT BLACK

SLIMDUCT BLACK is a premium duct cover providing aesthetic touch to any application.

High performance of heat and UV resistant will satisfy the property owners wish to maintain the exterior with professional appearance.



SD140-K

SD100-K

SD77-K



C.J. WISHING INTERNATIONAL LIMITED

Flat D, 6/F., Yeung Yiu Chung (No.8) Industrial Bldg., 20 Wang Hoi Road, Kowloon Bay, Hong Kong
Phone (852) 23180428 | Fax (852) 27965257
Website: www.cjwish.com.hk

Installed by Temp Technical

Installation Materials for Air-Conditioners

INABA DENKO



Installed by Temp Technical

Index

Trunking System (For Residential Use)

SLIMDUCT SD	3
IHM	9
SLIMDUCT SD - Elevating System	11
SLIMDUCT MD	13

Trunking System (For Commercial Use)

SLIMDUCT PD	15
SLIMDUCT RD	19

Insulated Copper Tube/Pipe

Insulated Copper Tube/Pipe	21
----------------------------------	----

Drain Hose

Drain Hose & Accessories -Outdoor-	25
Insulated Drain Hose [Soft Type]	27
DSH-UP series	29

Pipe Support/Holder & Tying Band

SUPERLOCK	31
PIPE SUPPORT	33
SEISMIC RESTRAINT [V-Type / D-Type]	37
SEISMIC RESTRAINT [C-Type / E-Type]	38
BIGTIE	39

Condenser Riser & Bracket

PLAROCK	41
PP CONDENSER RISER & ANTI VIBRATION PAD	42
RECYCROCK	43

Tape/Sleeve

TAPE	44
UV RESISTANT TAPE	45
INSULATION JOINT ADHESIVE TAPE JTA	46
WALL SLEEVE	47
WALL CAP	48

CATCHER – Universal Condenser Bracket

WALL BRACKET – Separated Type	49
WALL BRACKET	49
SLOPED ROOF BRACKET	49
SLAB STAND	50
DUPLEX STAND	50
WALL BRACKET	50
SLOPED ROOF BRACKET	50

SLIMDUCT™ SD



Beauty

Beautiful Finish

Professional

The perfect system SLIMDUCT SD with various fittings will conceal, beautify and protect exposed piping and is suitable for any Split Air Conditioners.



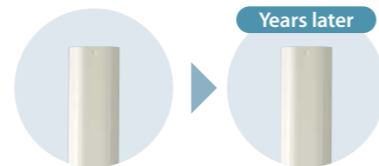
Before

After

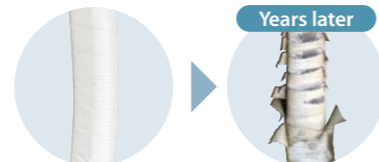
Protective

SLIMDUCT SD is constructed from a special high grade PVC for superior UV and weather resistance, protecting piping from the elements, vandalism and pest damage.

SLIMDUCT SD



Taping Installation



Variety

Wide Range of Variation

Color

5 colors to suit any color scheme.
Paintable to match or compliment custom colors. Follow paint manufacturer's recommendations for vinyl products



White
RAL9003

Ivory
RAL7044

Gray
RAL9006

Brown
RAL6014

Black
RAL9011

Size

3 sizes to accommodate any single piping or multiple piping.

Fittings

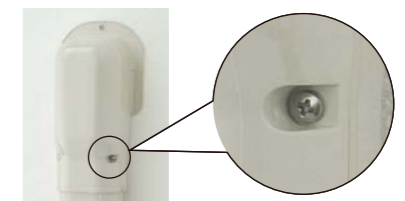
A full range of different fittings to customize SLIMDUCT SD to suit the layout of piping route.
*For further information, visit our website.

Function

Excellent Performance

Quality Fasteners

All SLIMDUCT fittings include stainless steel screws to avoid rust and corrosion.



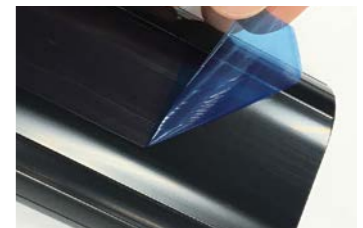
Workability

Punch out holes are located every 100mm, which enables convenient installation when mounting.

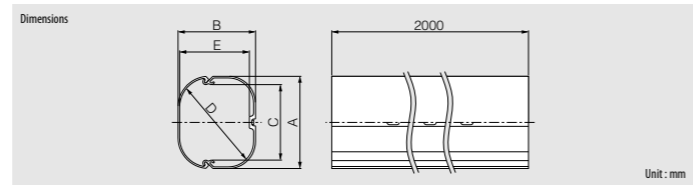


Protective Film

Slimduct Black and Brown come with a protective film to eliminate the possibility of visible scratches until the last moment the job is completed.

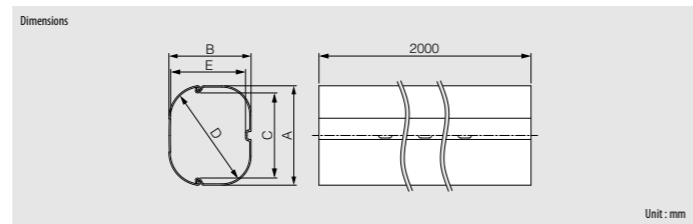


SD SLIMDUCT SD Straight trunking



Item No.	Color Variation	A	B	C	D	E	Pcs/Pkg
SD- 77	□□□■	75	63	60	76	56	15
SD-100	□□□■	100	70	86	99	64	10
SD-140	□□□■	140	80	122	135	73	5

NSD NEO SLIMDUCT NSD [Overseas Model] Straight trunking



Item No.	Color Variation	A	B	C	D	E	Pcs/Pkg
NSD- 77	□□	75	62	64	77	56	10
NSD-100	□□	100	70	84	100	64	10

SW WALL INLET



Item No.	Color Variation	A	B	C	D	E	Pcs/Pkg*
SW- 77	□□□■	83	66	110	205	77	60(20)
SW-100	□□□■	110	74	128	223	86	10(10)
SW-140	□□□■	146	84	166	280	98	5(5)

*() shows quantities of Gray, White, Black, and Brown.

SWA WALL INLET for Base-Free



Item No.	Color Variation	A	B	C	D	E	Pcs/Pkg
SWA- 77	□□□■	80	65	117	205	77	20
SWA-100	□□	104	73	142	227	87	10

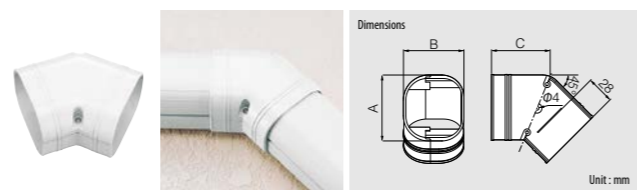
SK 90° FLAT ELL



Item No.	Color Variation	A	B	C	D	Pcs/Pkg*
SK- 77	□□□■	81	66	128	20	60(20)
SK-100	□□□■	106	74	151	20	10(10)
SK-140	□□□■	146	84	190	30	5(5)

*() shows quantities of Gray, White, Black, and Brown.

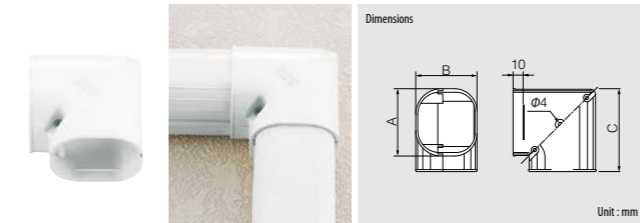
SKF 45° FLAT ELL



Item No.	Color Variation	A	B	C	Pcs/Pkg
SKF- 77	□□□■	82	68	65	20
SKF-100	□□□■	107	75	75	10
SKF-140	□□□■	147	85	92	5

Color Variation: □...White, □...Ivory, □...Gray, □...Brown, ■...Black
<https://www.inaba-denko.com/en/>

SKM 90° MINI FLAT ELL



Item No.	Color Variation	A	B	C	Pcs/Pkg
SKM-77	□□□■	82	68	97	97

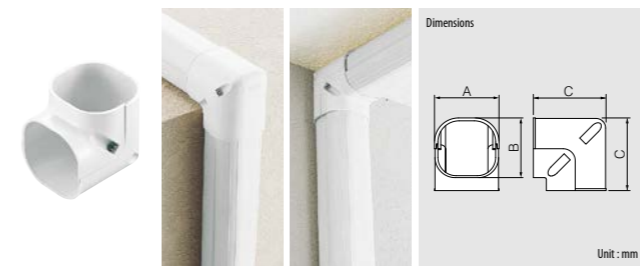
SC 90° VERTICAL ELL



Item No.	Color Variation	A	B	C	D	Pcs/Pkg*
SC- 77	□□□■	81	67	100	20	60(20)
SC-100	□□□■	106	75	117	30	10(10)
SC-140	□□□■	145	84	126	30	5(5)

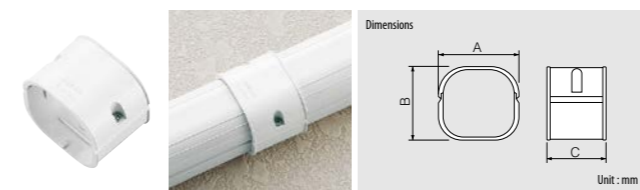
*() shows quantities of Gray, White, Black, and Brown.

SCM 90° MINI VERTICAL ELL



Item No.	Color Variation	A	B	C	Pcs/Pkg
SCM-77	□□□■	82	68	82	20

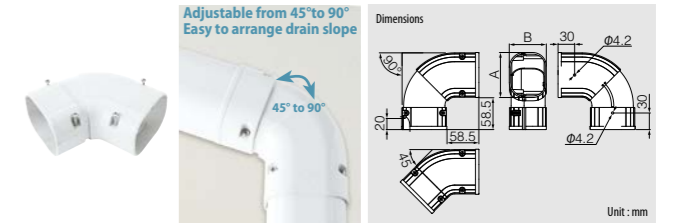
SJ COUPLER



Item No.	Color Variation	A	B	C	Pcs/Pkg*
SJ- 77	□□□■	85	67	50	60(20)
SJ-100	□□□■	109	75	66	20(20)
SJ-140	□□□■	146	84	90	10(10)

*() shows quantities of Gray, White, Black, and Brown.

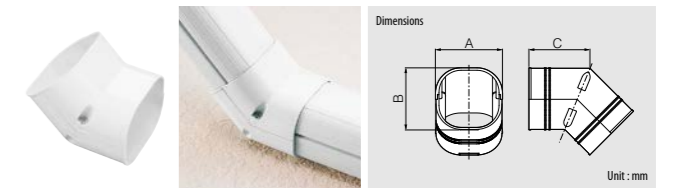
SKS ADJUSTABLE FLAT ELL 45° to 90° ELL



Item No.	Color Variation	A	B	Pcs/Pkg
SKS- 77	□□□■	81	67	10
SKS-100	□□	107	75	10

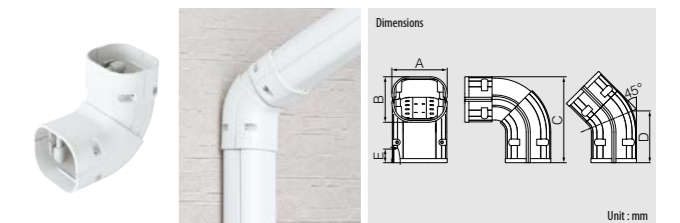
*Material ... PVC

SCF 45° VERTICAL ELL



Item No.	Color Variation	A	B	C	Pcs/Pkg
SCF- 77	□□□■	82	68	61	20
SCF-100	□□□■	107	75	64	10
SCF-140	□□□■	147	85	67	5

SCS ADJUSTABLE VERTICAL ELL 45° to 90° ELL



Item No.	Color Variation	A	B	C	D	E	Pcs/Pkg
SCS- 77	□□	81	67	126	76	20	10
SCS-100	□□	106	75	134	82	20	10

SP SOFFIT INLET



Item No.	Color Variation	A	B	C	D	E	Pcs/Pkg
SP- 77	□□□■	81	67	110	130	100	20
SP-100	□□□■	106	74	135	137	107	10
SP-140	□□□■	146	84	175	147	117	5

*Material ... ABS (77/140), PVC (100)

SE END FITTING



Item No.	Color Variation	A	B	C	D	E	Pcs/Pkg*
SE-77	□ □ □ □ □	53	43	45	82	67	60(20)

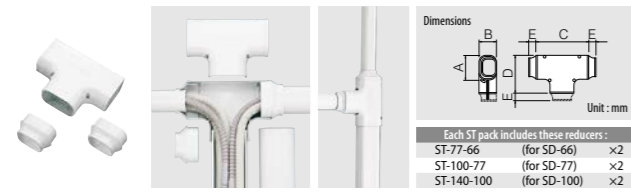
*() shows quantities of Gray, White, Black, and Brown.

SEN END FITTING



Item No.	Color Variation	A	B	C	Pcs/Pkg
SEN-100	□ □ □ □ □	56	112	76	20
SEN-140	□ □ □ □ □	77	150	85	10

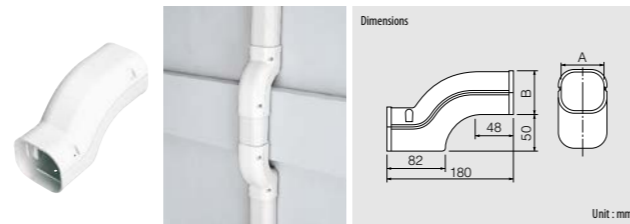
ST TEE



Item No.	Color Variation	A	B	C	D	E	Pcs/Pkg
ST-77	□ □ □ □ □	85	68	165	124	31	10
ST-100	□ □ □ □ □	109	78	200	154	33	10
ST-140	□ □ □ □ □	148	87	250	199	32	5

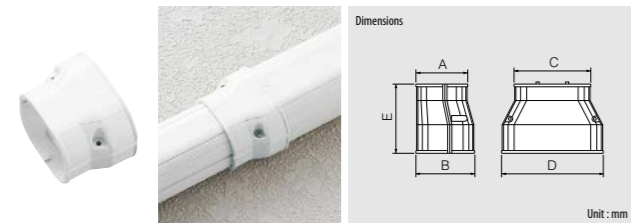
Each ST pack includes these reducers:
 ST-77-66 (for SD-66) x2
 ST-100-77 (for SD-77) x2
 ST-140-100 (for SD-100) x2

SIF 50MM FIXED OFFSET



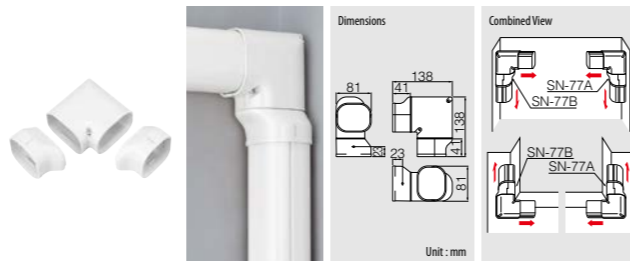
Item No.	Color Variation	A	B	Pcs/Pkg
SIF-77	□ □ □ □ □	83	69	10
SIF-100	□ □ □ □ □	108	74	10

SDR REDUCER



Item No.	Color Variation	A	B	C	D	E	Pcs/Pkg
SDR100-77	□ □ □ □ □	67	75	81	106	66	20
SDR140-100	□ □ □ □ □	75	84	109	147	100	10

SN 90° TWIST ELBOW



Item No.	Color Variation	Pcs/Pkg
SN-77	□ □ □ □ □	5

SNA 90° TWIST ELBOW (RIGHT TWIST)



(Contents)
 Right twist joint ... 1pc.
 90° FLAT ELL (SK-100) ... 1pc.

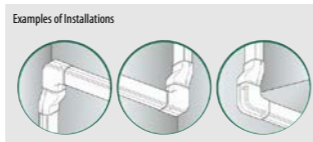


Item No.	Color Variation	Pcs/Pkg
SNA-100	□ □	5

SNB 90° TWIST ELBOW (LEFT TWIST)

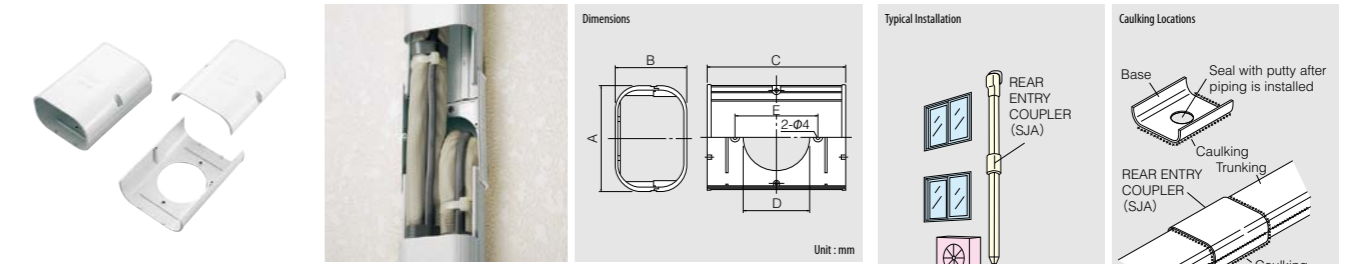


(Contents)
 Left twist joint ... 1pc.
 90° FLAT ELL (SK-100) ... 1pc.



Item No.	Color Variation	Pcs/Pkg
SNB-100	□ □	5

SJA REAR ENTRY COUPLER



Item No.	Color Variation	A	B	C	D	E	Compliant pipe size	Pcs/Pkg
SJA-100	□ □ □ □ □	109	75	148	70	88	2 sets of PC-2320	20

SWC WALL FLANGE

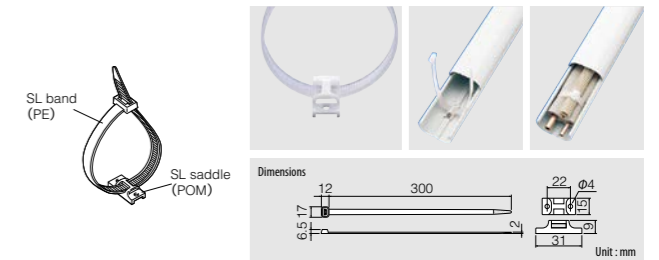


Item No.	Color Variation	A	B	C	D	E	F	G	Diameter of core drill	Pcs/Pkg
SWC-77	□ □ □ □ □	83	71	127	115	80	110	90	85	100
SWC-100	□ □ □ □ □	108	78	174	144	104	140	114	110	50
SWC-140	□ □ □ □ □	148	88	220	180	144	196	154	145	20

*Material ... ABS

SL STRAP KIT

For SLIMDUCT



Item No.	Color Variation	Pcs/Pkg
SL-300	□	500

*Material ... PE (SL band), POM (SL saddle)
 *Do not overtighten strap! This may decrease insulation performance.

VD CUTTER for SLIMDUCT

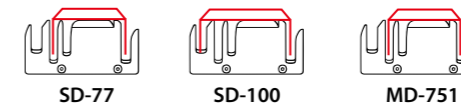


JAN Code / 4953998006133

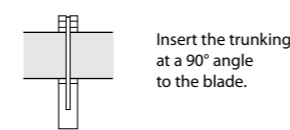
Item No.	Product Name
VD2100	Cutter



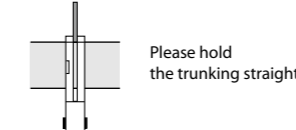
Applicable trunking size



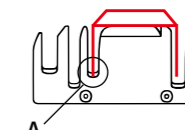
Please cut trunking slowly in all seasons.



Insert the trunking at a 90° angle to the blade.



Please hold the trunking straight.

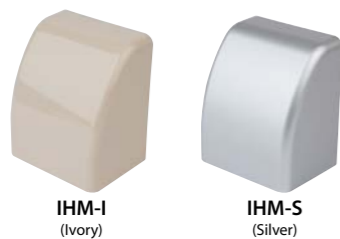


Reduce the cutting speed when the blade reaches the position A.



Enhance the Appearance

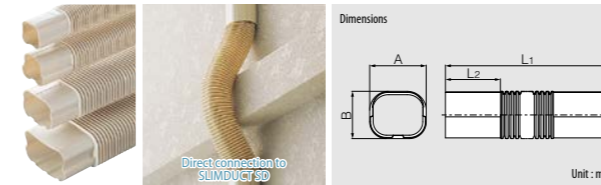
Enhance the appearance while hiding and protecting the final connection to the condenser by combining IHM with SF Flexible ELL.



IHM-I
(Ivory)

IHM-S
(Silver)

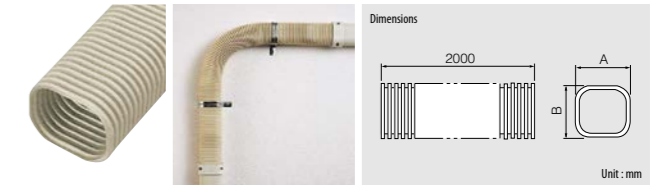
SF FLEXIBLE ELL with End Cuffs



Item No.	Color Variation	A	B	L ₁	L ₂	Pcs/Pkg
SF- 77- 500	□ □ □ □ ■	74	62	530	87	20
SF- 77-1000	□ □ □ □ ■	74	62	1060	87	20
SF-100- 800	□ □ □ □ ■	100	70	800	70	10
SF-140- 800	□ □ □ □ ■	146	86	800	80	5

*Material ... PE (77), PP (100/140)

SF 2M FLEXIBLE ELL with Raw Ends



Item No.	Color Variation	A	B	Pcs/Pkg
SF-77-2000	□ □ □ □ ■	74	62	10

*Material ... PE
*Use with SFJ Coupler and SFS Clamp.

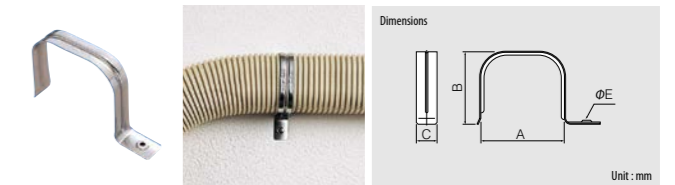
SFJ SF FLEXIBLE ADAPTOR



Item No.	Color Variation	A	B	C	Pcs/Pkg
SFJ- 77	□ □ □ □ ■	83	66	35	20
SFJ-100	□ □ □ □ ■	108	74	40	20

*Use with SFS.
*To secure joint, insert 2 corrugations of SF into SFJ adaptor.

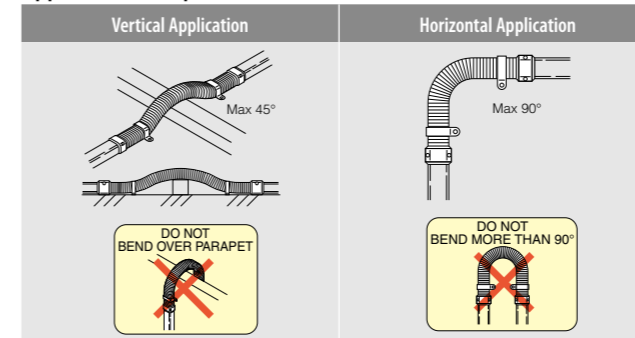
SFS SADDLE for FLEXIBLE ELL SF



Item No.	A	B	C	E	Pcs/Pkg
SFS- 77	75	63	18	4.2	60
SFS-100	100	70	22	7	40
SFS-140	146	85	22	7	40

*Material ... SUS304

Application Example for FLEXIBLE ELL



SLIMDUCT SD series

Specifications

Temperature Range	-20 ~ 60°C
Application	Wall Mounted
Material	Rigid Polyvinyl Chloride (Flame Retardant) *Excludes some items
Color	□ □ □ □ ■

*Excludes some items.
*Most components are PVC. When other materials are used, they will be listed under the component description.

The table below shows the maximum size piping combinations that can be stored in SLIMDUCT SD:

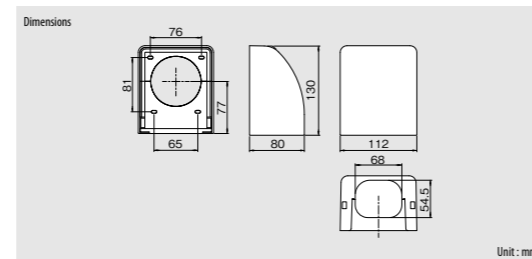
Item No.	10×10mm	10×20mm	20×20mm
SD- 77	φ9.52×φ15.88	—	—
SD-100	(φ19.05×φ22.22) or (φ6.35×φ9.52)×2 sets	φ9.52×φ19.05	—
SD-140	(φ6.35×φ12.70 and φ9.52×φ15.88)×2 sets	φ19.05×φ31.75	φ12.70×φ28.58

*Piping system includes DRAIN HOSE (DH-16).

Caution

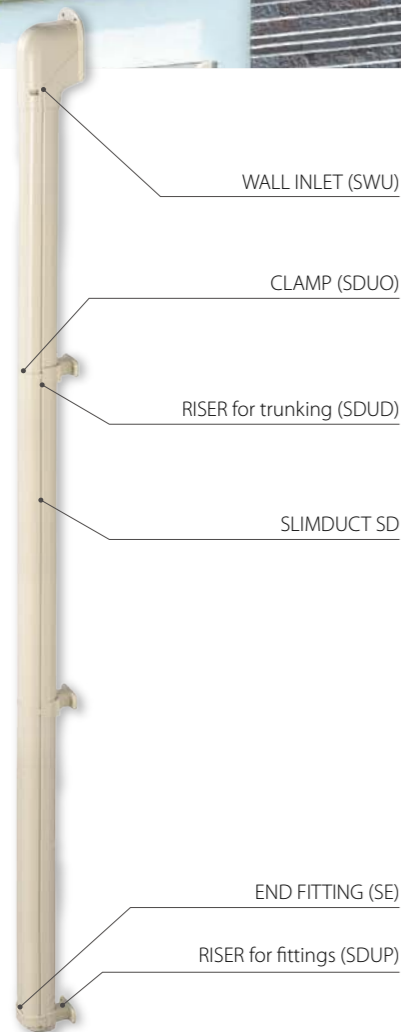
- SLIMDUCT SD IS NOT WATERPROOF. To waterproof, seal all longitudinal and lateral seams, screw heads and wall penetration with weatherproof sealant or putty.
- SLIMDUCT SD trunking and fittings are suitable for use and storage within a temperature range of -20°C to 60°C. Deformation may occur at temperatures exceeding 60°C. Protect SLIMDUCT installation from direct and radiant heat.
- When attaching SLIMDUCT to wall, USE ONLY PAN HEAD SCREWS. DO NOT USE FLAT HEAD OR COUNTERSUNK SCREWS AS THEY CAN EXERT TOO MUCH PRESSURE AND CRACK THE PVC MATERIAL.
- Use of impact screwdrivers to install SLIMDUCT to wall and to tighten fixing screws on fittings is highly discouraged as they can easily overtighten the screws and crack the PVC material. Use hand screwdrivers for precise torque control.
- Use SL-300 STRAP KIT to retain piping inside trunking.

IHM WALL-MOUNTED OUTLET

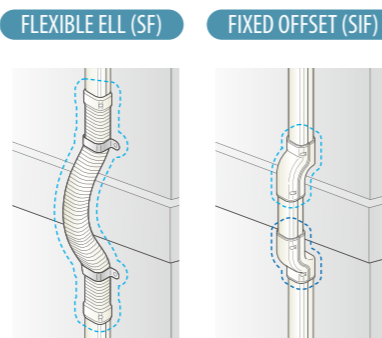


Item No.	Color Variation	Pcs/Pkg
IHM-I	□	10
IHM-S	■	10

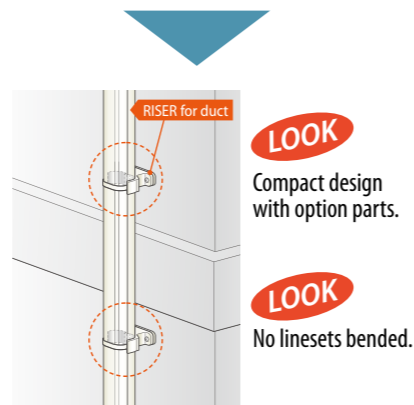
SLIMDUCT™ SD - Elevating System



Traditional Installation



Elevating System



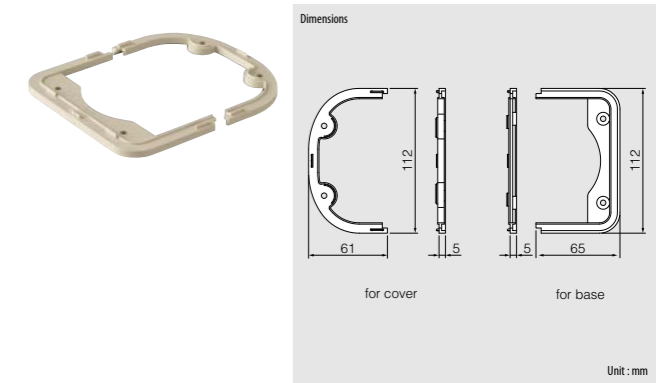
SWU WALL INLET



Item No.	Color Variation	Pcs/Pkg
SWU-77-I	□	100

*Material ... PVC

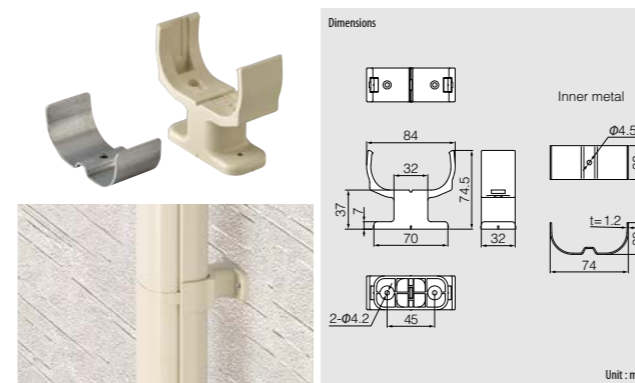
SWUS HEIGHT ADJUSTER for SWU



Item No.	Color Variation	Pcs/Pkg
SWUS-77-I	□	100

*Material ... PVC

SDUD RISER for trunking



Item No.	Color Variation	Pcs/Pkg
SDUD-77-I	□	50

*Material ... AES
*Inner metal ... ZAM

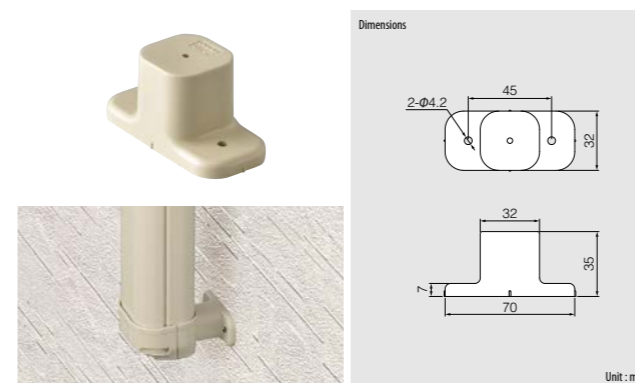
SDUO CLAMP



Item No.	Color Variation	Pcs/Pkg
SDUO-77-I	□	200

*Material ... SUS
*Coated ... Ivory color

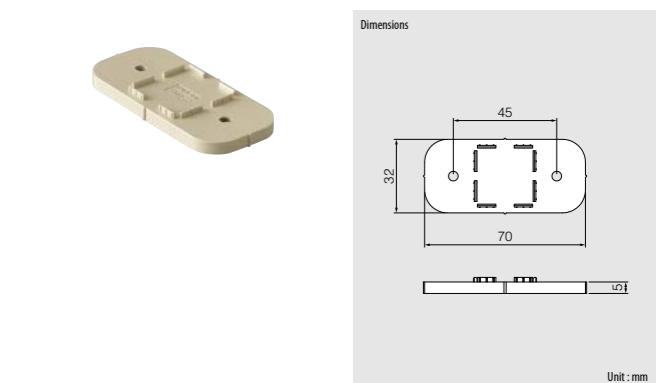
SDUP RISER for fittings



Item No.	Color Variation	Pcs/Pkg
SDUP-77-I	□	50

*Material ... AES

SDUS HEIGHT ADJUSTER for SDUD



Item No.	Color Variation	Pcs/Pkg
SDUS-77-I	□	100

*Material ... AES

SLIMDUCT™ MD



Stylishly designed, SLIMDUCT MD series will compliment any interior or exterior design scheme

Innovation Discreet Interior Design

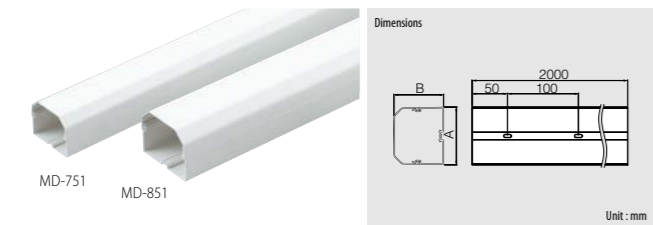
No Visible Screws
Blend in well with the overall color scheme of the interior of any room.



Function Excellent Performance

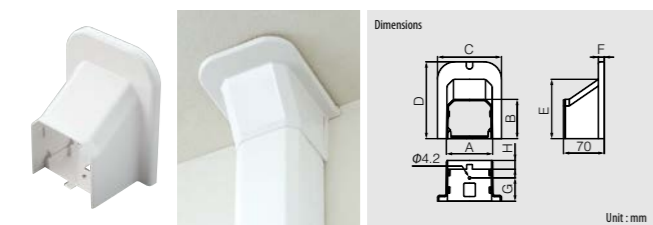
Flame Retardant
SLIMDUCT MD is made from flame retardant materials*.
*Excludes some items.

MD SLIMDUCT MD Straight trunking



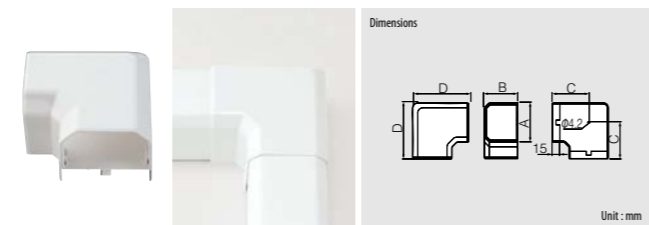
Item No.	Color Variation	A	B	Pcs/Pkg
MD-751-W	□	75	65	5
MD-851	□	85	70	5

MP SOFFIT INLET



Item No.	Color Variation	A	B	C	D	E	F	G	H	Pcs/Pkg
MP-75-W	□	80	67.5	110	132	102	8	40	15	20
MP-85	□	92	73	115	135	110	10	40	15	10

MK 90° FLAT ELL



Item No.	Color Variation	A	B	C	D	Pcs/Pkg
MK-75-W	□	80	68	74	114	20
MK-85	□	90	73	79	124	10

MJ COUPLER



Item No.	Color Variation	A	B	Pcs/Pkg
MJ-75-W	□	80	67.5	20
MJ-85	□	90	72.5	10

MS GASKET

Item No.	Color Variation	A	B	C	D	E	Pcs/Pkg
MS-75	□	24.5	90	82	70	74	20
MS-85	□	24.5	100	92	75	79	20

*Material ... Main part: PVC Flange: Synthetic rubber
*The MS may not be suitable for use with indoor A/C units from all manufacturers. A crevice is made when installation to an attachment part with level difference or the curved surface beyond R25.

MCI 90° INSIDE VERTICAL ELL



Item No.	Color Variation	A	B	C	Pcs/Pkg
MCI-75-W	□	80	90	43	20
MCI-85	□	90	94	54	10

MCO 90° OUTSIDE VERTICAL ELL



Item No.	Color Variation	A	B	C	Pcs/Pkg
MCO-75-W	□	80	68	103	20
MCO-85	□	90	73	109	10

MKF 45° FLAT ELL



Item No.	Color Variation	A	B	C	D	Pcs/Pkg
MKF-75-W	□	80	70	63	30	20
MKF-85	□	90	75	68	31	10

MT TEE



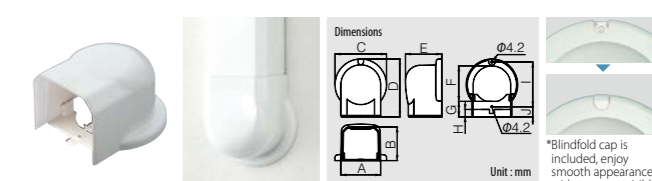
Item No.	Color Variation	A	B	C	D	Pcs/Pkg
MT-75-W	□	80	68	105	105	10
MT-85	□	90	73	115	115	10

MN 90° TWIST ELBOW



Item No.	Color Variation	A	B	C	Pcs/Pkg
MN-75-W	□	154	40	40	5
MN-85	□	169	45	45	5

MW WALL INLET



Item No.	Color Variation	A	B	C	D	E	F	G	H	I	J	Pcs/Pkg
MW-75-W	□	80	67.5	103	116	73	71	31	15	90	20	20
MW-85	□	90	72.5	123	128.5	76	83	27	15	102.5	20	10

SLIMDUCT MD series

Specifications

Temperature Range	-20 ~ 60°C
Application	Wall Mounted
Material	Rigid Polyvinyl Chloride (Flame Retardant) *Excludes some items

The table below shows the maximum size piping combinations that can be run in SLIMDUCT MD:

Item No.	Insulation Thickness	10x10mm
MD-751-W	6.35x9.52 - 6.35x12.70 + DSH-14	
MD-851	Ventilation hose (O.D. less than φ37)	+ 6.35x9.52 - 6.35x12.70 + DSH-14 or 6.35x9.52 - 9.52x15.88 + DSH-14

SLIMDUCT™ PD



Innovative New Design

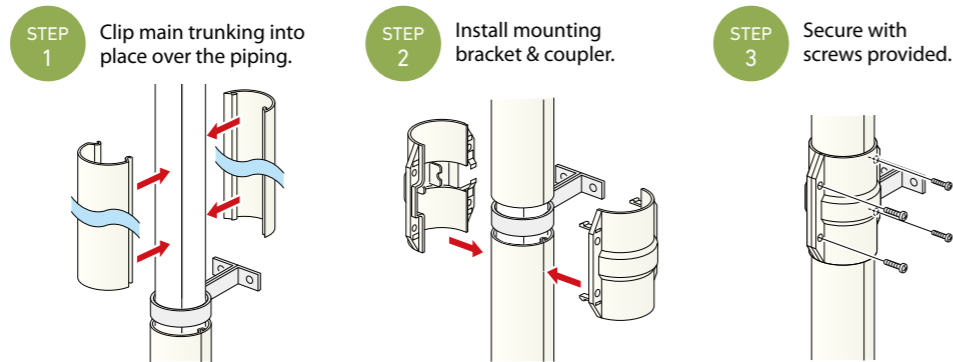
Provides easy mounting and elevates trunking system from wall surface.

Light & Tough

UV & weather resistant heavy duty PVC construction resists deformation.

Easy Installation

All trunking and fittings disassemble for ease of installation, and mount with commercially available standard wall mounted with our brackets (Ref. Page 18).



Specifications

Application	Elevate piping from wall, deck and ceiling surface.
Temperature Range	-20 ~ 60°C (Surface Temperature)
Material	Rigid Polyvinyl Chloride (Flame Retardant)
Color	Ivory

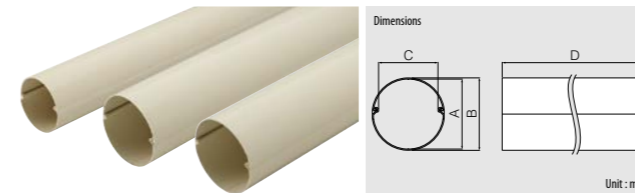
*PDL CLIP is SUS304 Stainless Steel.

SLIMDUCT PD Maximum Piping Combinations:

Item No.	Applicable bracket size (Ref. Page 18)	Insulation thickness		
		10×10mm	10×20mm	20×20mm
PD- 90	A10363-0087	φ15.88×φ28.58	φ9.52×φ19.05	-
PD-120	A10363-0091	φ19.05×φ38.10	φ19.05×φ31.75	φ9.52×φ19.05
PD-140	A10363-0104	φ25.40×φ53.98 φ19.05×φ31.75×2	φ22.22×φ44.45	φ19.05×φ31.75

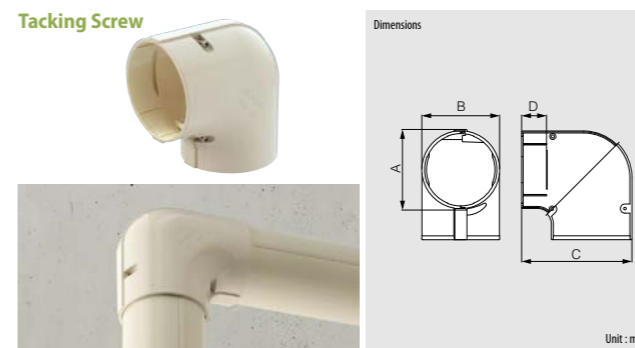
PD SLIMDUCT PD

Straight trunking



Item No.	Color Variation	A	B (O.D.)	C (I.D.)	D	Pcs/Pkg
PD- 90-1000-I	□	φ 89	φ 92	75	960	5
PD- 90-1500-I	□	φ 89	φ 92	75	1460	5
PD- 90-2000-I	□	φ 89	φ 92	75	2000	5
PD-120-1000-I	□	φ117	φ120	103	960	5
PD-120-1500-I	□	φ117	φ120	103	1460	5
PD-120-2000-I	□	φ117	φ120	103	2000	5
PD-140-2000-I	□	φ138	φ142	124	2000	5

PDE 90° ELL



Item No.	Color Variation	A	B	C	D	Pcs/Pkg
PDE- 90-I	□	104	100	142	32	10
PDE-120-I	□	132	128	172	32	5
PDE-140-I	□	154	150	203	40	5

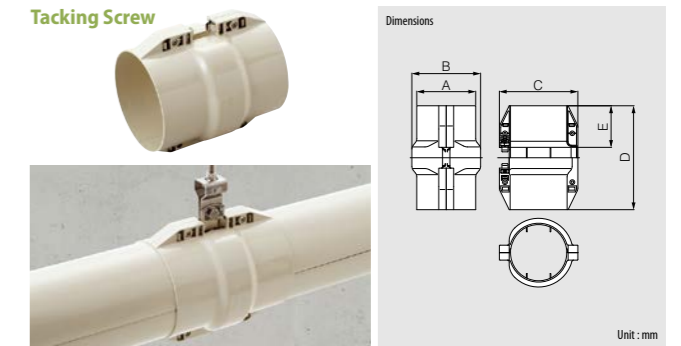
PDT TEE



PDT-90

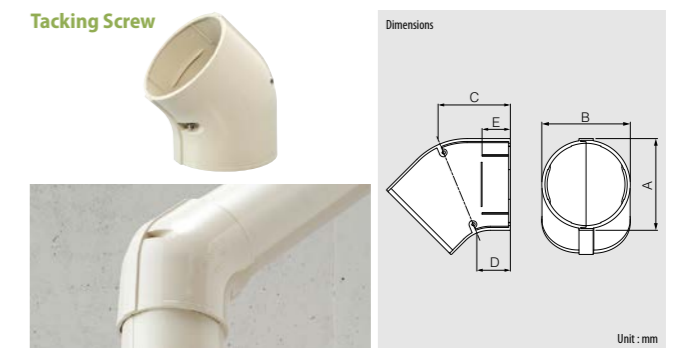
PDT-120
PDT-140
With 2 reducers

PDB-N MOUNTING COUPLER

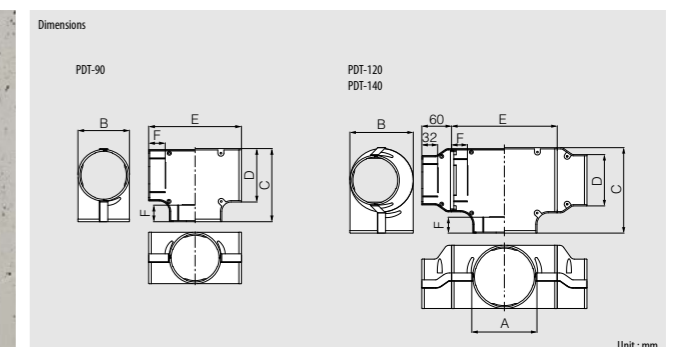


Item No.	Color Variation	A	B	C	D	E	Pcs/Pkg
PDB- 90N-I	□	φ 97	112	127	130	49	10
PDB-120N-I	□	φ125	140	155	130	49	5
PDB-140N-I	□	φ147	166	184	136	52	5

PDF 45° ELL



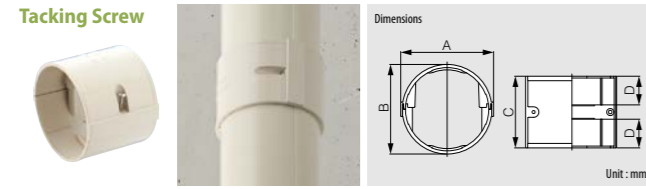
Item No.	Color Variation	A	B	C	D	E	Pcs/Pkg
PDF- 90-I	□	104	100	82	38	32	10
PDF-120-I	□	132	128	93	38	32	5
PDF-140-I	□	154	150	111	46	40	5



Item No.	Color Variation	A	B	C	D	E	F	Pcs/Pkg
PDT- 90-I	□	104	100	142	104	180	32	10
PDT-120-I	□	132	128	173	104	213	32	5
PDT-140-I	□	154	150	203	132	251	40	5

Color Variation: □...White, □...Ivory, □...Gray, □...Brown, □...Black
Trunking System (For Commercial Use)

PDJ STANDARD COUPLER



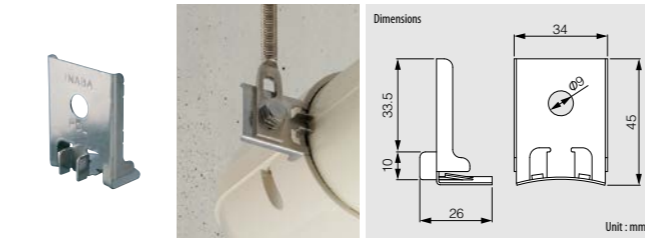
Item No.	Color Variation	A	B	C	D	Pcs/Pkg
PDJ- 90-I	□	104	100	80	32	20
PDJ-120-I	■	132	128	80	32	10
PDJ-140-I	■	154	150	96	40	10

PDC END FITTING



Item No.	Color Variation	A	B	C	D	E	Pcs/Pkg
PDC- 90-I	□	104	100	61	46	80	20
PDC-120-I	■	132	128	86	57	80	10
PDC-140-I	■	154	150	94	60	96	10

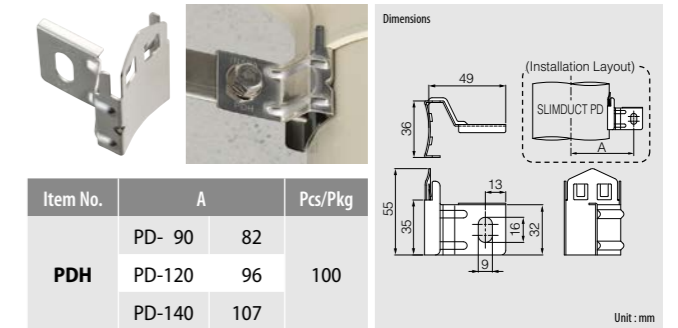
PDL FITTING MOUNT CLIP



Item No.	Pcs/Pkg
PDL	200

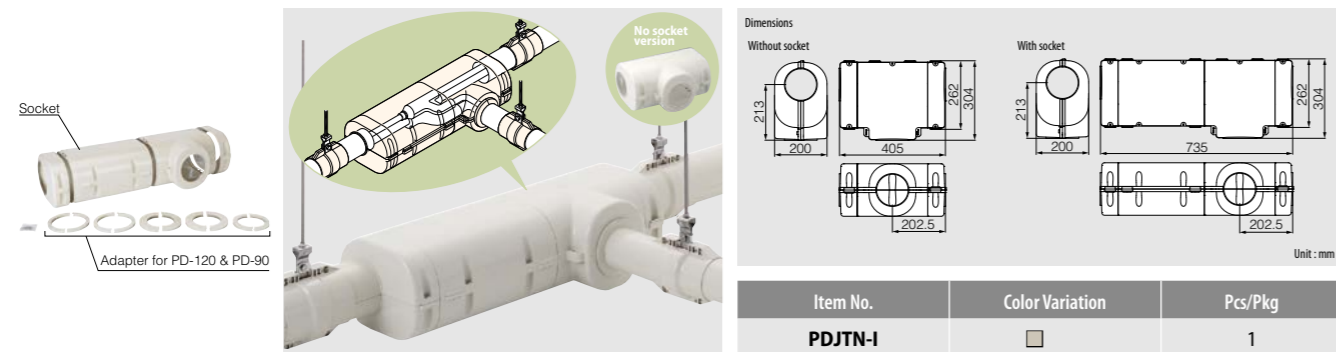
*Material ... SUS
*Available to use on the back of connection fitting as well.

PDH FITTING MOUNT CLIP FOR BACK OF CONNECTION FITTINGS



*Material ... SUS
*Available to use on the back of connection fittings.

PDJTN T-BRANCH



Item No.	Color Variation	Pcs/Pkg
PDJTN-I	□	1

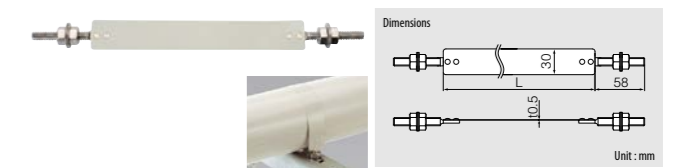
PDI REDUCER



Application
• Connection between PD-90 and 120 size fittings, and between PD-120 and 140 size fittings.

Item No.	Color Variation	A	B	C	Pcs/Pkg
PDI-120- 90-I	□	104	132	128	20
PDI-140-120-I	■	132	154	150	20

PDU FIXING SADDLE



Item No.	Trunking Size	L	Pcs/Pkg
PDU- 90-I	PD- 90	211	30
PDU-120-I	PD-120	283	30
PDU-140-I	PD-140	339	30

*Material ... SUS
*In case of vertical piping, fix each parts using such as Fitting Mount Clip PDH, etc.

PWP-N WALL FLANGE



Item No.	Color Variation	A	B	C	D	Pcs/Pkg
PWP- 90N-I	□	99	134	158	309	30
PWP-120N-I	■	127	162	186	397	20
PWP-140N-I	■	149	184	208	470	20

*Decorative Packing is not waterproofing.

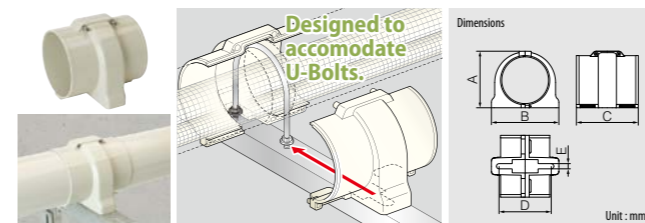
PSP WALL FLANGE



Item No.	Color Variation	A	B	C	Pcs/Pkg
PSP- 90-I	□	88	134	158	30
PSP-120-I	■	116	162	186	20

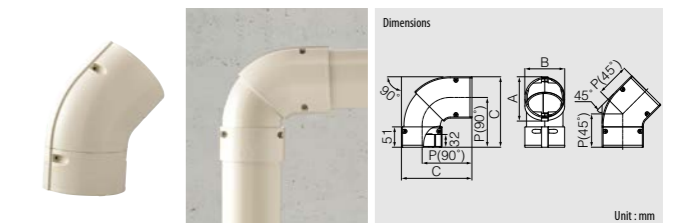
*For connection to other products except straight PD duct.

PDBK MOUNTING COUPLER FOR U-BOLTS



Item No.	Color Variation	A	B	C	D	E	Pcs/Pkg
PDBK- 90-I	■	112	133	122	103	10.2	10
PDBK-120-I	■	140	159	122	129	10.2	5

PDKS ADJUSTABLE ELBOW



Item No.	Color Variation	A	B	C	P(90°)	P(45°)	Pcs/Pkg
PDKS- 90-I	■	104	100	177	125	83.5	10
PDKS-120-I	■	132	128	209	143.5	91.5	5

PSDR PD-SD COUPLER



Item No.	Color Variation	A	B	C	Pcs/Pkg
PSDR- 90-100-I	■	110	100	90	10
PSDR-120-140-I	■	149	128	95	10

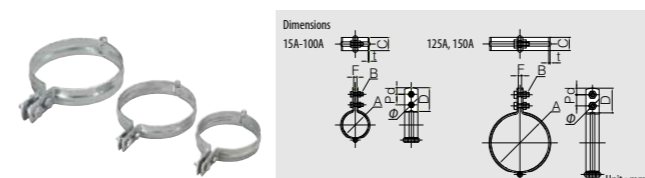
Applicable Connection Fittings		
Item No.	SLIMDUCT PD	SLIMDUCT SD
PSP- 90-I	PD- 90 Duct	Fittings for SD-100
PSP-120-I	PD-120 Duct	Fittings for SD-140

*If support is necessary, use Fitting Mount Clip PDL or PDH.

Color Variation: □...White, □...Ivory, □...Gray, ■...Brown, ■...Black
<https://www.inaba-denko.com/en/>

A10363 PIPE CLAMP

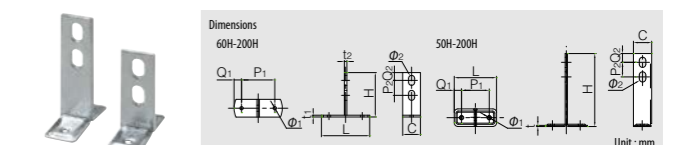
Product manufactured by AKAGI CO., LTD.



Item No.	A	B	C	D	d	F	P	t	φ	Pcs/Pkg
A10363-0087 (For PDB- 90N-I)	89.1	M 6×20L	25	45	12.5	6	20	2.3	φ 7.0	1
A10363-0091 (For PDB-120N-I)	114.3	M 6×20L	25	45	12.5	6	20	2.3	φ 7.0	1
A10363-0104 (For PDB-140N-I)	139.8	M10×30L	32	65	16	8	27	3.2	φ11.0	1

A11214/A10405 TEE BRACKET

Product manufactured by AKAGI CO., LTD.



Item No.	C	H	L	P ₁	P ₂	Q ₁	Q ₂	t ₁	t ₂	φ ₁	φ ₂	Pcs/Pkg
A11214-0039 (60 × 25mm width <For PD-90, 120>)	25	60	58	38	20	10	12	1.6	—	4.5	φ 9.0×14	1
A11214-0043 (80 × 25mm width <For PD-90, 120>)	25	80	58	38	20	10	12	1.6	—	4.5	φ 9.0×14	1
A10405-0479 (60 × 32mm width <For PD-140>)	32	60	87	60	27	13.5	14	3.2	4.5	6.0	φ11.0×18	1
A10405-0483 (80 × 32mm width <For PD-140>)	32	80	87	60	27	13.5	14	3.2	4.5	6.0	φ11.0×18	1

*Please contact us for brackets with larger height.

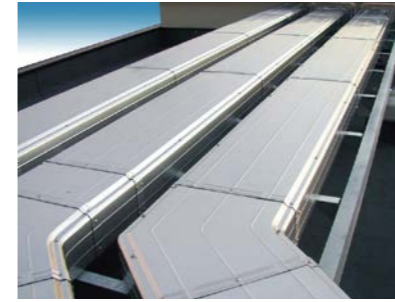
Color Variation: □...White, □...Ivory, □...Gray, ■...Brown, ■...Black
Trunking System (For Commercial Use)

SLIMDUCT™ RD



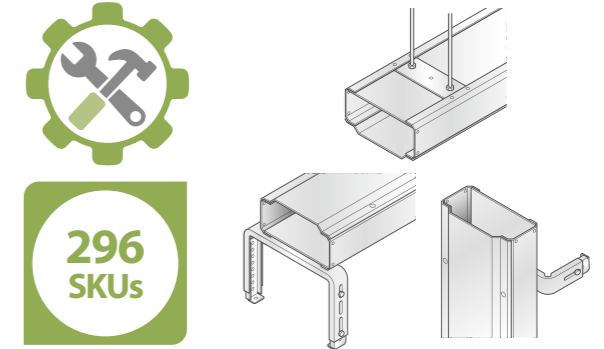
Architectural Trunking Cover

The professional and aesthetic finish of SLIMDUCT RD blends perfectly in with any type of commercial buildings, which exterior will be enhanced by the sleek appearance of finished installation.



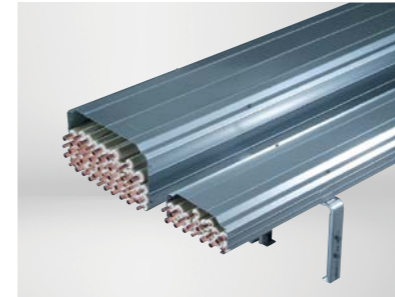
Easy Installation

No special tools are required to assemble and connect SLIMDUCT RD, and it is assembled by only two kinds of screws.



Ideal Linesets Protector

Protects linesets and related pipes/cables for a long time, which enables to preserve energy efficiency of air conditioners.



Load Capacity

SLIMDUCT RD, WALKWAY TYPE (RDW) has an embossed anti-slip surface. This permits maintenance personnel to walk on ducts without damaging during routine maintenance of any mechanical equipment on the rooftop.



Durability and Weather Resistance

SLIMDUCT RD is made from "ZAM" which offers superior resistance over stainless steel even in highly corrosive atmospheres such as sea air.

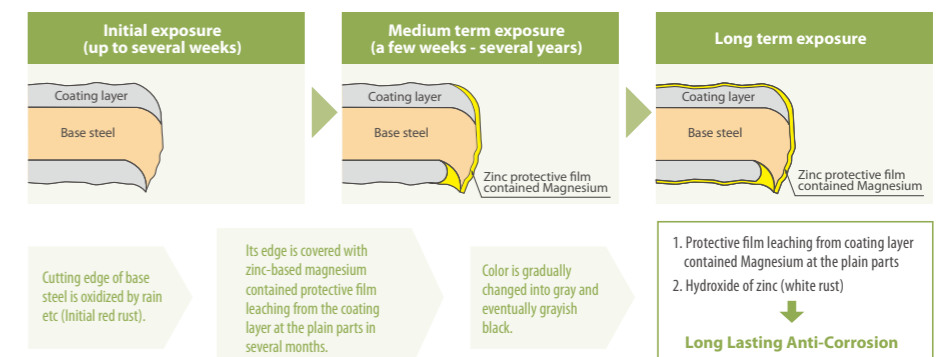


Appearances of cut edges after salt spray test
(Thickness: 3.2 mm, coating weight: 120/120 g/m², untreated)

Lapse of time	100h	1,000h	5,000h
A highly corrosion resistant hot dip galvanized steel			
55% Al-Zn alloy coated steel			
Zn-5% Al alloy coated steel			
Galvanized steel			

Scratch/Abrasion Resistance

The Coating layer contains a higher proportion of Magnesium and is more rigid than that of a standard galvanized or Galvalum sheet. It offers superior scratch/abrasion resistance as well as advanced corrosion resistance to ensure that any scratch or cut edges will be covered by a zinc protective film in a few months.



SPECIAL

SLIMDUCT RD's innovative trunking for air-conditioning piping combines BEAUTY with DURABILITY.

Straight lines and fixed angles improve the aesthetics on the appearance of buildings and facilities. A large variety of unique fittings ensures a quick installation, helps reduce costs and provide durability.

Multiple Application

Use of many fittings available such as risers, vertical mountings, and under-slab mountings enables SLIMDUCT RD to be easily customized on-site during the installation process and to be installed in any orientation. *Excludes some sizes.



Compact Design

Because of its compact design, SLIMDUCT RD requires less space than a traditional racking/jacketing system.



Insulated Copper Tube/Pipe



Quality

High-Quality Materials

Excellent Thermal Resistance

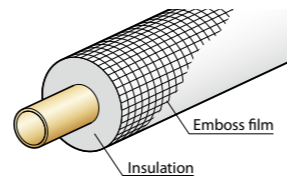
All insulated tube and pipe products are fabricated with high grade insulation with a thermal resistance up to 120°C.

Flame Retardant

Our insulation is made of self-extinguishing materials equivalent to the European Flame retardant standard.

Tear Resistant Outer Covering

Tough embossed outer covering is easy to tape and prevents damage during installation. In addition, PE foam has good pressure resistance and it's not easy to be teared, especially at the hanging point.

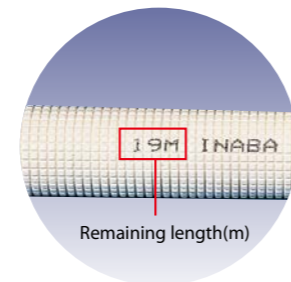


Function

Upgrade Working Efficiency

Length Markings

For 20m & 30m Coil, consecutively numbered length marking are clearly printed at 1 meter intervals on insulation surface to indicate remaining length.



Insulation Specifications

Chemical cross-linked foamed polyethylene enclosed by a plastic film with an embossed surface.

Item	Value	Item	Value
Thermal Conductivity (Ave. 23°C)	0.037 W/m·K	Moisture Permeability (per 25mm thickness)	20 ng/m ² ·s·Pa or less
Tensile Strength	48.2 N/cm ²	Temperature Range	-40°C~120°C
Water Absorption Volume	0.06 g/100 cm ²	Flame Retardant (Equivalent to)	EN-13501-1 DIN 4102-1, B1 class UL-94 HF-1
Thickness Shrinkage Ratio (Ave. 120°C)	2.0 %		

*This data is test outcome, not guaranteed value.

PC/NC-JE PAIRCOIL • NEOCOIL



PAIRCOIL 20M

Item No.	Copper tube (O.D. × Length)	Copper thickness (mm)	Insulation thickness (mm)	Pcs/Pkg
PC-2320-JE	1/4×3/8×20m	0.8×0.8	8× 8	1
PC-2420-JE	1/4×1/2×20m	0.8×0.8	8×10	1
PC-2520-JE	1/4×5/8×20m	0.8×1.0	8×10	1
PC-3520-JE	3/8×5/8×20m	0.8×1.0	8×10	1
PC-3620Z-JE	3/8×3/4×20m	0.8×1.2	8×10	1

NEOCOIL 20M

Item No.	Copper tube (O.D. × Length)	Copper thickness (mm)	Insulation thickness (mm)	Pcs/Pkg
NC-220-JE	1/4×20m	0.8	8	2
NC-320-JE	3/8×20m	0.8	8	2
NC-420-JE	1/2×20m	0.8	10	1
NC-520-JE	5/8×20m	1.0	10	1
NC-620Z-JE	3/4×20m	1.2	10	1

PAIRCOIL 30M

Item No.	Copper tube (O.D. × Length)	Copper thickness (mm)	Insulation thickness (mm)	Pcs/Pkg
PC-2330-JE	1/4×3/8×30m	0.8×0.8	8× 8	1
PC-2430-JE	1/4×1/2×30m	0.8×0.8	8×10	1
PC-2530-JE	1/4×5/8×30m	0.8×1.0	8×10	1

Competitive Model

PAIRCOIL U TYPE 20M

Item No.	Copper tube (O.D. × Length)	Copper thickness (mm)	Insulation thickness (mm)	Pcs/Pkg
PC-2320U-JE	1/4×3/8×20m	0.61×0.61	8× 8	1
PC-2420U-JE	1/4×1/2×20m	0.61×0.61	8×10	1
PC-2520U-JE	1/4×5/8×20m	0.61×0.81	8×10	1

NEOCOIL U TYPE 20M

Item No.	Copper tube (O.D. × Length)	Copper thickness (mm)	Insulation thickness (mm)	Pcs/Pkg
NC-520U-JE	5/8×20m	0.81	10	1
NC-620U-JE	3/4×20m	1.0	10	1

PAIRCOIL U TYPE 30M

Item No.	Copper tube (O.D. × Length)	Copper thickness (mm)	Insulation thickness (mm)	Pcs/Pkg
PC-2330U-JE	1/4×3/8×30m	0.61×0.61	8× 8	1
PC-2430U-JE	1/4×1/2×30m	0.61×0.61	8×10	1

PC/NC-UV PAIRCOIL • NEOCOIL [UV RESISTANT]



PAIRCOIL 20M, 30M

Item No.	Copper tube (O.D. × Length)	Copper thickness (mm)	Insulation thickness (mm)	Pcs/Pkg
PC-2320-UV	1/4×3/8×20m	0.8×0.8	8× 8	1
PC-2420-UV	1/4×1/2×20m	0.8×0.8	8×10	1
PC-2520-UV	1/4×5/8×20m	0.8×1.0	8×10	1
PC-3520-UV	3/8×5/8×20m	0.8×1.0	8×10	1
PC-3620Z-UV	3/8×3/4×20m	0.8×1.2	8×10	1

PAIRCOIL U TYPE 20M

Item No.	Copper tube (O.D. × Length)	Copper thickness (mm)	Insulation thickness (mm)	Pcs/Pkg
PC-2320U-UV	1/4×3/8×20m	0.61×0.61	8× 8	1
PC-2420U-UV	1/4×1/2×20m	0.61×0.61	8×10	1
PC-2520U-UV	1/4×5/8×20m	0.61×0.81	8×10	1

Very Strong Against Sunshine

Against sunshine, normally insulation material will get damaged and break. It will also affect AC performance and cause condensation problem. But our UV resistant type can stand for two times even without Taping or Duct Cover because of Super Protection Film. It can maintain good quality much longer.

Outdoor Exposure Test



A general PE insulation and our own UV product were both placed on the roof.

After 3 years and 5 months, the surface of the general insulation showed signs of damage and was partially corroded, while our UV product maintained its quality.

After 5 years and 1 month, the upper half of the general insulation completely deteriorated. Our UV product maintained the quality almost unaffected.

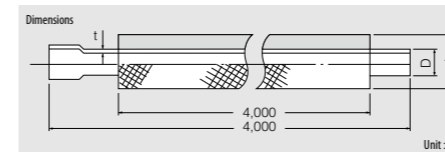
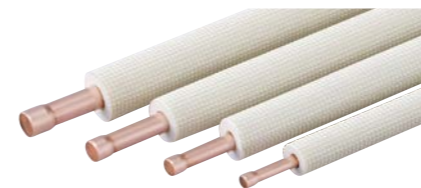
NC-20H NEOCOIL-20H



Insulation Thickness 20mm

Item No.	Copper tube (O.D. × Length)	Copper thickness (mm)	Insulation thickness (mm)	Pcs/Pkg
NC-220JE-20H	1/4×20m	0.8	20	1
NC-320JE-20H	3/8×20m	0.8	20	1
NC-420JE-20H	1/2×20m	0.8	20	1
NC-520JE-20H	5/8×20m	1.0	20	1
NC-620ZJE-20H	3/4×20m	1.2	20	1

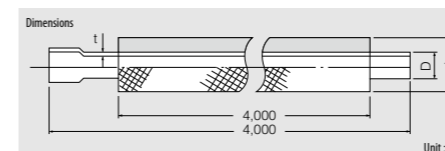
NH NEOPIPE 4M



Item No.	Copper tube		Temper grade	Insulation		Pcs/Pkg
	O.D. D	Thickness t (mm)		O.D. d (mm)	Thickness (mm)	
NH- 740JE	7/8	1.0	H	44	10	10
NH- 840JE	1	1.0	H	47	10	8
NH- 940JE	1 1/8	1.0	H	50	10	6
NH-1040JE	1 1/4	1.1	H	53	10	6
NH-1140JE	1 3/8	1.2	H	57	10	4
NH-1240JE	1 1/2	1.35	H	60	10	4
NH-1340JE	1 5/8	1.45	H	64	10	4
NH-1440JE	1 3/4	1.55	H	66	10	4

*Straight pipe with Temper grade H is not bendable by bending tools.

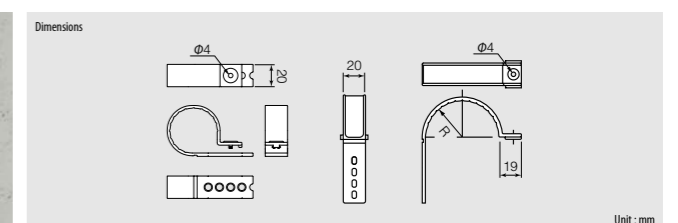
NH-20H NEOPIPE 4M-20H



Item No.	Copper tube		Temper grade	Insulation		Pcs/Pkg
	O.D. D	Thickness t (mm)		O.D. d (mm)	Thickness (mm)	
NH- 740JE-20H	7/8	1.0	H	64	20	8
NH- 840JE-20H	1	1.0	H	67	20	6
NH- 940JE-20H	1 1/8	1.0	H	70	20	4
NH-1040JE-20H	1 1/4	1.1	H	73	20	4
NH-1140JE-20H	1 3/8	1.2	H	76	20	4
NH-1240JE-20H	1 1/2	1.35	H	80	20	4
NH-1340JE-20H	1 5/8	1.45	H	84	20	2
NH-1440JE-20H	1 3/4	1.55	H	86	20	2

*Straight pipe with Temper grade H is not bendable by bending tools.

KS SINGLE SADDLE [for A/C Refrigerant Piping]



Item No.	Color Variation	Effective Inside Diameter	Pcs/Pkg
KS-20-I	■	φ39 ~ φ45	1000
KS-24-I	■	φ38 ~ φ50	500

*Material ... PE

Color Variation: □...White, ■...Ivory, ■...Gray, ■...Brown, ■...Black Insulated Copper Tube/Pipe

Drain Hose & Accessories -Outdoor-



DHQ DRAIN HOSE - Outdoor

UV Resistant Version!!

Portable carton with removable EASY-FEED flap



Double layered for outstanding durability

Accelerated Weather Resistance Test (Sunshine Weather Meter)

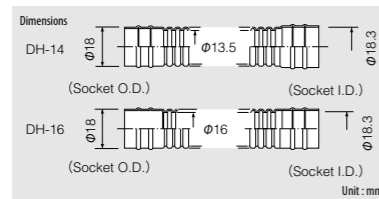


- Specifications**
- Cuff spacing ... 500mm
- Features**
- Double the UV resistance of the DH series.
 - High quality PE (LLDPE) material gives excellent corrosion resistance.

Item No.	Size					Pcs/Pkg
	Nominal	Hose I.D.	Length	Hose O.D.	Max O.D.	
DHQ-14	φ14	φ13.5	50m	φ18.3	φ22	8
DHQ-16	φ16	φ16	50m	φ20.8	φ22	6

DH DRAIN HOSE - Standard

"Easy-feed" & portable package

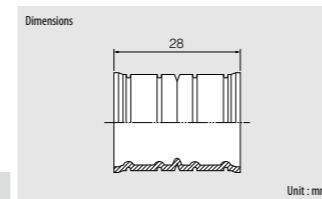


- Specifications**
- Cuff diameter accepts both 14mm and 16mm sizes.
 - Cuff spacing ... 500mm

Item No.	Size					Pcs/Pkg
	Nominal	Hose I.D.	Length	Hose O.D.	Max O.D.	
DH-14	φ14	φ13.5	50m	φ18.3	φ22	8
DH-16	φ16	φ16	50m	φ20.8	φ22	6

*Material ... PE

DHJ DRAIN HOSE COUPLER



- Purpose**
- To connect part of the cut drain hose.

Item No.	Compliant drain hose	O.D.	Length	Pcs/Pkg
DHJ-14	DH-14 • DHQ-14	φ21.9	28	100
DHJ-16	DH-16 • DHQ-16	φ24.4	28	100

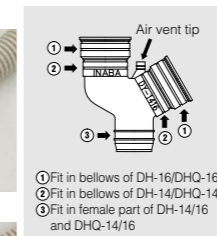
*Material ... PE

DY VENTED DRAIN WYE

Multiple uses of the size 14 & 16



LONG TYPE newly (lined-up) added

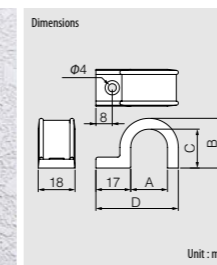


- Purpose**
- Joins 2 drain hoses.
- Features**
- Integral air vent promotes drainage flow.

Item No.	Compliant drain hose	Pcs/Pkg
DY-1416	DH-14/16, DHQ-14/16	100
DY-1416L	DH-14/16, DHQ-14/16	100

*Material ... PE

DS DRAIN HOSE SADDLE

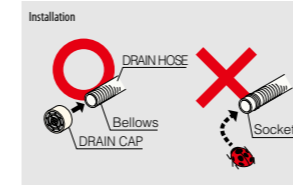
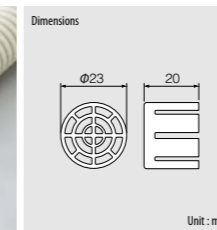


- Features**
- Attractive, compact, quick fitting.
 - Weather resistant.
 - Ivory color matches DRAIN HOSE.
 - Appearance matches SLIMDUCT SD/NSD/MD.

Item No.	Compliant drain hose	A	B	C	D	Pcs/Pkg
DS-14	DH-14 • DHQ-14	26.6	18	39.3	23.3	500
DS-16	DH-16 • DHQ-16	28.6	20	41.3	25.3	500

*Material ... PP

DC DRAIN CAP



- Features**
- Prevents insects from entering DRAIN HOSE.
 - One-touch mounting to O.D. of DRAIN HOSE.
 - Fits both 14mm & 16mm hose.

Item No.	Compliant drain hose	Pcs/Pkg
DC-1416	DRAIN HOSE φ14 • 16	50sets (2 pcs/set)

*Material ... PP

NDA DRAIN HOSE ADAPTOR



- Features**
- NDA easily connects drain hose to NEO drain pipe coupler or VP/VE pipe coupler.
 - Only drain hose can be removed from coupler.
 - Transparent body permits easy check for drain hose connection.

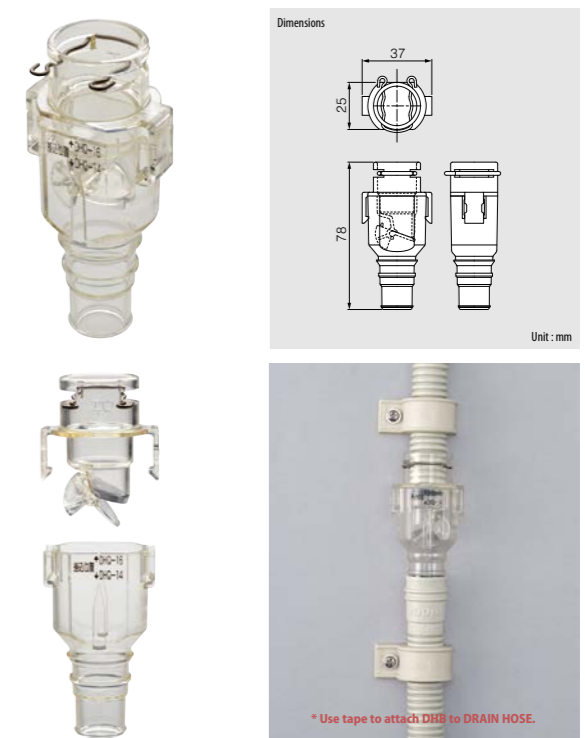
Item No.	Compliant drain hose	Pcs/Pkg
NDA-1416	DH-14/16, DHQ-14/16	20

*Material ... Acrylic resin

Compliant Neo drain pipe coupler	Compliant PVC pipe coupler
For O.D. 26mm, O.D. 32mm	For VP (O.D. 26mm), VP(O.D. 32mm)

Use exclusively with INABA DENKO Drain Hose

DHB MINI INLINE TRAP



- Purpose**
- In an airtight home, pressure difference between indoors and outdoors may cause air backflow and result in noise. DHB Trap promotes condensate flow thus prevents noise and deters insects from entering DRAIN HOSE.

- Features**
- Transparent body permits easy inspection.
 - Weather resistant plastic requires no protective tapes.
 - Easy to clean.
 - Accepts DHQ 14 & DHQ 16 without adaptor.

Item No.	Compliant drain hose	Pcs/Pkg
DHB-1416	DHQ-14 • DHQ-16	50

*Material ... Acrylic resin

Drain Hose

Dew Condensation Prevention

Insulated Drain Hose

Soft Type

Soft but strong enough to do the job!
INSULATED DRAIN HOSE DSH

Insulated to Prevent Condensation

Prevents condensation under extreme conditions of 15°C condensate water 30°C ambient temperature and 80% RH.

Easy to Work With

Internal PE hose cuts easily with blade or scissors.

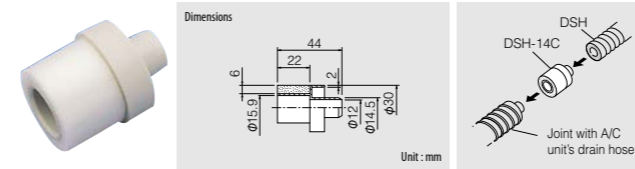
Smooth Inside

Reduces resistance and maximizes condensate flow.

Soft and Flexible

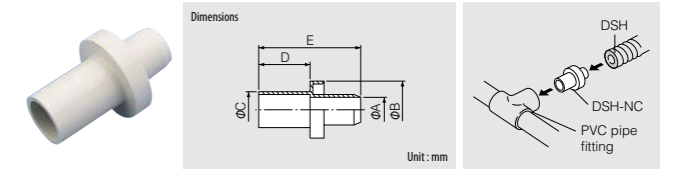
Independent layers plus spiral insulation layer make bending easy and facilitate installation in tight spaces.

DSH-14C Hose to A/C Attached Hose COUPLER φ14 For A/C unit's drain hose joint



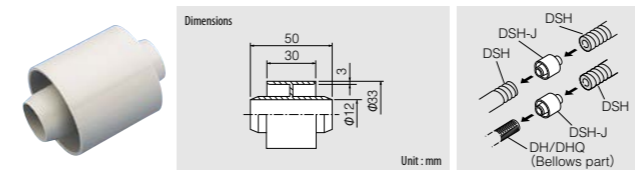
Item No.	Compliant drain hose	Pcs/Pkg
DSH-14C	DSH-14	100

DSH-20•25NC Hose to Pipe Fitting ADAPTOR φ20•25 For PVC pipe fitting



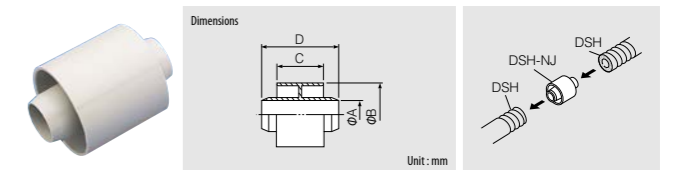
Item No.	Compliant drain hose	Compliant PVC pipe O.D. mm	φA	φB	φC	D	E	Pcs/Pkg
DSH-20NC	DSH-20N	26	17	35	26	37	64	50
DSH-25NC	DSH-25N	32	22.5	40	32	42	69	50

DSH-14J Hose to Hose COUPLER φ14 For drain hose extension



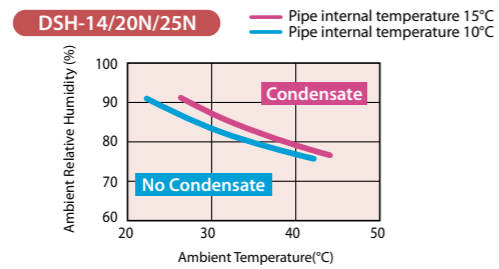
Item No.	Compliant drain hose	Pcs/Pkg
DSH-14J	DSH-14	100

DSH-20•25NJ Hose to Hose COUPLER φ20•25 For drain hose extension



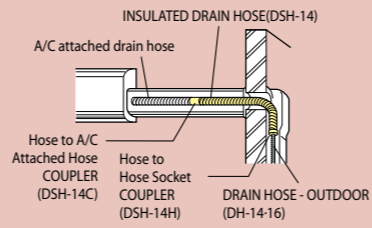
Item No.	Compliant drain hose	φA	φB	φC	D	Pcs/Pkg
DSH-20NJ	DSH-20N	17	35.5	32	52	50
DSH-25NJ	DSH-25N	22.5	41.5	32	52	50

Data shows superior performance in condensation prevention



Example of Typical Installation

Room A/C Installation - Size 14



Prevents Condensation
Flexible and Easy to Work

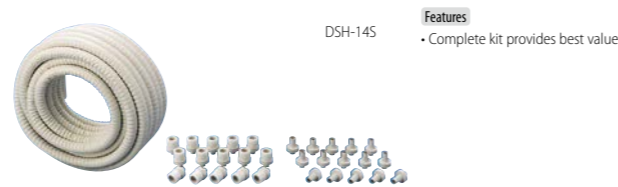
DSH INSULATED DRAIN HOSE [Soft Type]



- Features**
- Soft and flexible for easy installation.
 - Easily cut to length.

Item No.	Hose I.D.	Hose O.D.	Length	Insulation thickness	Pcs/Pkg
DSH-14	φ14.5	φ26.5	20m	6mm	4
DSH-20N	φ19.0	φ31.0	20m	6mm	1
DSH-25N	φ25.0	φ37.0	20m	6mm	1

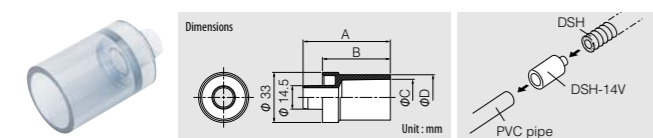
DSH-S INSULATED DRAIN HOSE KIT [Soft Type]



- Features**
- Complete kit provides best value.

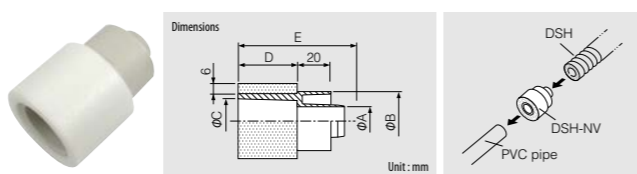
Item No.	Contents	Pcs/Pkg
DSH-14S	INSULATED DRAIN HOSE 20m Hose to A/C Attached Hose COUPLER DSH-14C×15 Hose to Hose Socket COUPLER DSH-14H×15	4

DSH-14V Hose to Pipe ADAPTOR φ14 For PVC pipe joint



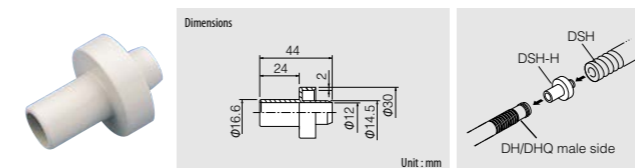
Item No.	Compliant drain hose	Compliant PVC pipe O.D. mm	A	B	φC	φD	Pcs/Pkg
DSH-14-13V		18	50	38	18.4	φ24	100
DSH-14-16V	DSH-14	22	54	42	22.4	φ28	100
DSH-14-20V		26	59	47	26.45	φ33	100

DSH-20•25NV Hose to Pipe ADAPTOR φ20•25 For PVC pipe joint



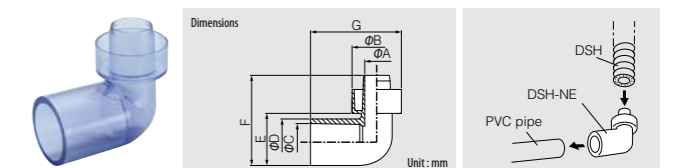
Item No.	Compliant drain hose	Compliant PVC pipe O.D. mm	φA	φB	φC	D	E	Pcs/Pkg
DSH-20NV	DSH-20N	26	16	35	26.45	35	63	50
DSH-25NV	DSH-25N	32	21.5	40	32.55	40	68	50

DSH-14H Hose to Hose Socket COUPLER φ14 For drain hose joint



Item No.	Compliant drain hose	Pcs/Pkg
DSH-14H	DSH-14	100

DSH-20•25NE Hose to Pipe ELL φ20•25 For PVC pipe joint



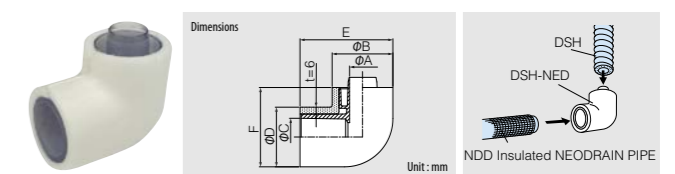
Item No.	Compliant drain hose	φA	φB	φC	D	E	F	G	Pcs/Pkg
DSH-20NE	DSH-20N	17	35	26.45	33	37	64	64.5	50
DSH-25NE	DSH-25N	22.5	40	32.55	40	45	72	75.25	50

Specifications

Material	Insulated drain hoses and accessories		PVC
	Insulation		PE

- Caution**
- Cut drain hose in right angle, and completely remove any dust, oil, and trash on the jointing surface.
 - Use adhesive for PVC pipe use and insert drain hose/pipe fully into accessory fitting to avoid any problems such as water leakage.
 - Do not bend drain hose by a radius of less than 3 times of outer diameter.
 - Do not let drain hose slack when installing (Need slope for water flow).
 - Use drain hose accessories exclusively with INABA DENKO drain hoses. Use of these products in combination with any other brand will invalidate warranty.
 - Do not use adhesive for PVC pipe in the case of connection between drain hose (DH/DHQ) & coupler (DSH-14H/DSH-14J). Insert drain hoses, and accessory fittings fully and secure them with tape.

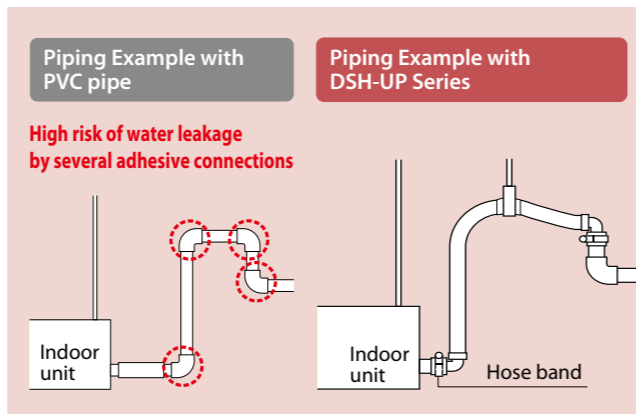
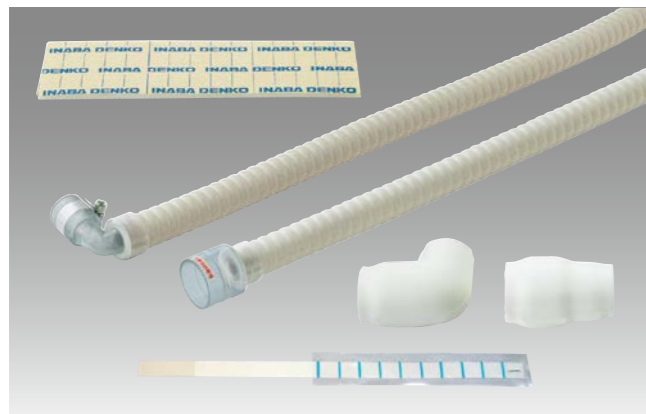
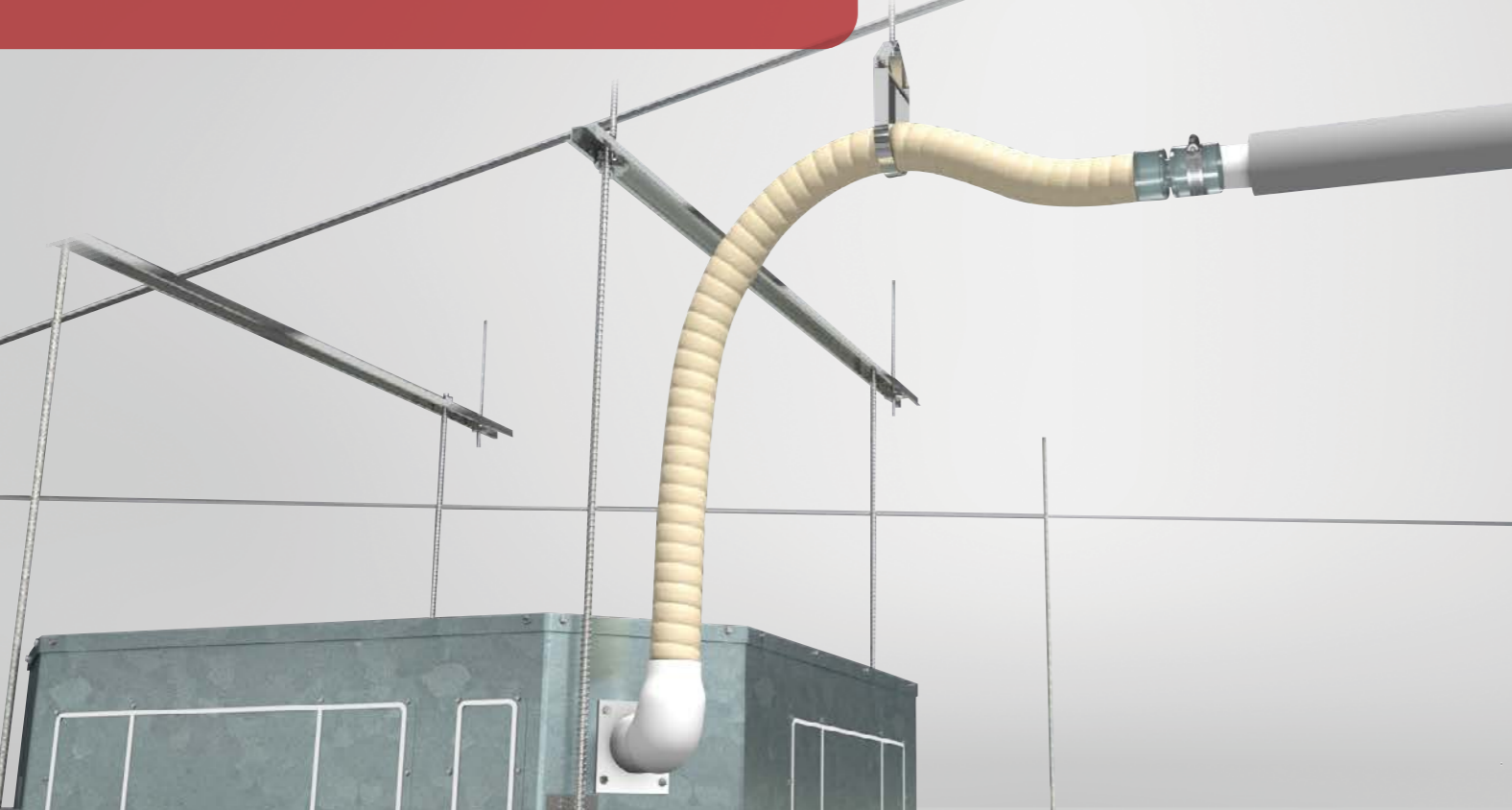
DSH-20•25NED Hose to Pipe Insulated ELL φ20•25 For PVC pipe joint



Item No.	Compliant drain pipe & hose	φA	φB	φC	D	E	F	Pcs/Pkg
DSH-20NED	NDD-20N/DSH-20N	17	47	26.45	45	72	61	30
DSH-25NED	NDD-25N/DSH-25N	22.5	53	32.55	52	81	69	30

DSH-UP™ series

Thermal insulation drain hose with coupling joint for drain up piping of package air conditioner



Construction image



Elbow and Straight Fitting



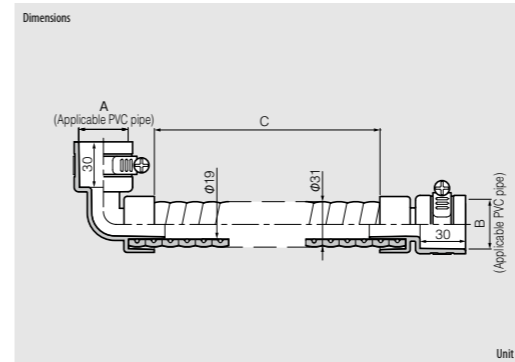
Elbow Fitting



Transparent fittings assure a secure fit and water-flow check

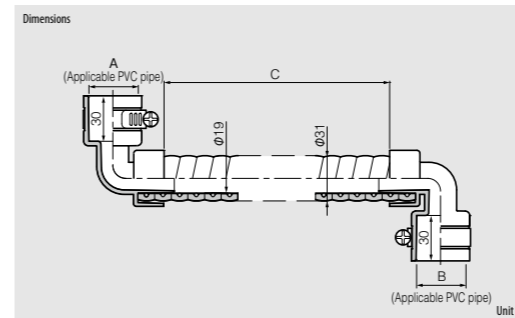
DSH-UP INSULATED DRAIN HOSE for drain up piping

S Elbow & Straight ES



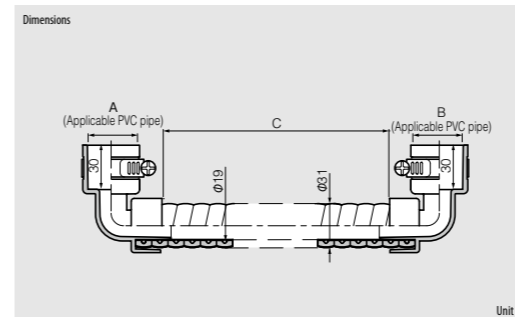
Item No.	A (Applicable PVC pipe O.D. mm)	B (Applicable PVC pipe O.D. mm)	C	Pcs/Pkg
DSH-UP20E20S-07	26	26	700	10
DSH-UP20E25S-07	26	32	700	10
DSH-UP25E20S-07	32	26	700	10
DSH-UP25E25S-07	32	32	700	10
DSH-UP20E20S-10	26	26	1000	10
DSH-UP20E25S-10	26	32	1000	10
DSH-UP25E20S-10	32	26	1000	10
DSH-UP25E25S-10	32	32	1000	10

E Elbow & Elbow E E



Item No.	A (Applicable PVC pipe O.D. mm)	B (Applicable PVC pipe O.D. mm)	C	Pcs/Pkg
DSH-UP20E20E-07	26	26	700	10
DSH-UP20E25E-07	26	32	700	10
DSH-UP25E25E-07	32	32	700	10
DSH-UP20E20E-10	26	26	1000	10
DSH-UP20E25E-10	26	32	1000	10
DSH-UP25E25E-10	32	32	1000	10

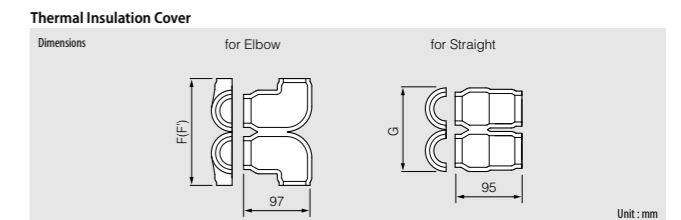
ER Elbow & Elbow ER



Item No.	A (Applicable PVC pipe O.D. mm)	B (Applicable PVC pipe O.D. mm)	C	Pcs/Pkg
DSH-UP20E20R-07	26	26	700	10
DSH-UP20E25R-07	26	32	700	10
DSH-UP25E25R-07	32	32	700	10
DSH-UP20E20R-10	26	26	1000	10
DSH-UP20E25R-10	26	32	1000	10
DSH-UP25E25R-10	32	32	1000	10

Caution
• Use only for the above applicable PVC pipe.

Material	
Thermal insulated drain hose (Insulation)	PVC (Foamed PE)
Coupling joint	PVC
Hose band	SUS
Thermal insulation cover	Foamed PE
Thermal insulation adhesive tape (W50mm × L150mm)	Foamed PE



Set Details

	Elbow & Straight ES	Elbow & Elbow EE / ER
Thermal insulated drain hose with coupling joint	1	1
Hose band	2 pcs	2 pcs
Thermal insulation cover for Straight	1 pc	—
Thermal insulation cover for Elbow	1 pc	2 pcs
Thermal insulation adhesive tape	1 pc	1 pc
Water leakage checking sheet	2 pcs	2 pcs

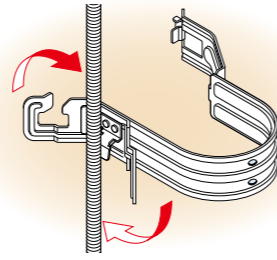
SUPERLOCK



QUICK

Attachment by one-touch to W3/8" threaded rod

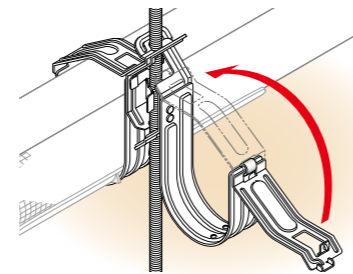
No need of additional tools or nuts for installation.



SPACE-SAVING

Available "back to back" installation

It enables installation in space-saving by "back to back".

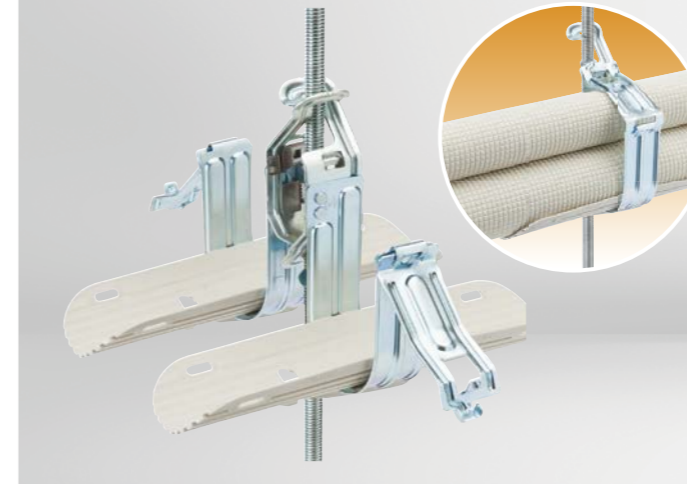


*SRV only

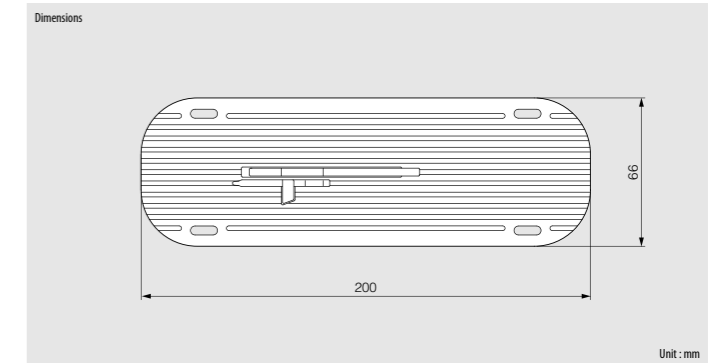
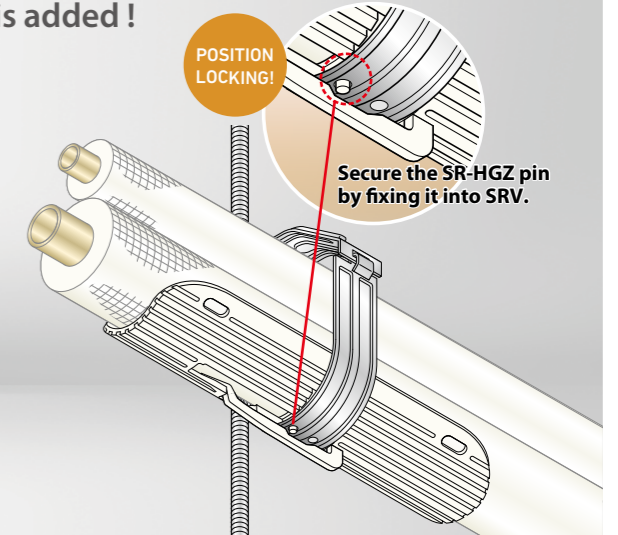
SR-HGZ PROTECTION PLATE

For insulation materials

Applicable to **all sizes of SUPERLOCK.**



Position locking function is added!



Item No.	Color Variation	Pcs/Pkg
SR-HGD	<input type="checkbox"/>	200

*Material ... PP

Features

- Protects insulation from deforming.
- Flexible only in the width direction. The plate has ribs at backside and is hard to bend in the length direction.
- Applicable to all sizes of SUPERLOCK (SRV).
- Easy piping work, because the round edge of elliptical shape has few catches of insulation of pipe.

Caution

- For indoor use only.

ZC3 CEILING COVER for Threaded Rod



Features

- Cutting Line provided on backside for installation at the edge to wall.

Caution

- Use only with W3/8" threaded rod.

Item No.	Color Variation	Applicable Threaded Rod	Pcs/Pkg
ZC3	<input type="checkbox"/> <input type="checkbox"/>	W3/8	200

*Material ... PP (for indoor)
*Not flame retardant.

BC3 Threaded Rod Cover



Item No.	Color Variation	Applicable Threaded Rod	Pcs/Pkg
BC3	<input type="checkbox"/> <input type="checkbox"/>	W3/8·M10	100

*Material ... EVA (for indoor)
*Not flame retardant.

SRV SUPERLOCK V TYPE [Integrated Body and Clip]



One-Touch Fitting

Purpose

- Supports pipe by attaching to a W3/8" threaded rod.

Features

- SUPERLOCK Clamp quickly snaps onto threaded rod.
- Hinge mechanism permits temporary installation.
- Easy height adjustment by rotating clamp on threaded rod.

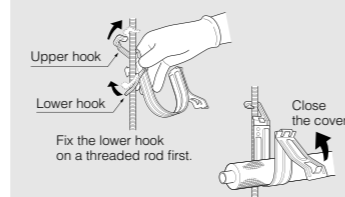
Specifications

- Steel with SPCC (Unichrome) plating.

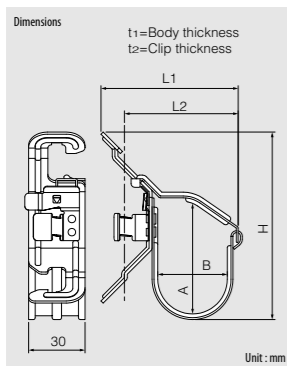
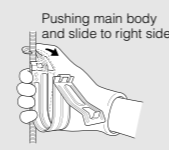
Caution

- For indoor use only.
- Use only with W3/8" threaded rod.

Installation Procedure



Removal



Back to back installation



Item No.	Applicable pipe size (mm)		Allowable static load	Dimensions (mm)					Body thickness(t1)	Clip thickness(t2)	Pcs/Pkg
	Insulation thickness	Copper pipe		L1	L2	H	A	B			
SRV- 24B	10×10	6.35*×9.52*~6.35*×12.70	196N (20kgf)	70	57.5	95	59	37	1.0	1.0	100
SRV- 35B	10×10	6.35*×15.88~9.52*×15.88		70	57.5	101	67	37			100
SRV- 46B	10×10	9.52*×19.05~12.70×19.05		74	61.5	112	76	41			100
SRV- 58B	10×10	12.70×22.22~15.88×25.40		84	71.5	121	85	51			100
SRV- 69B	10×10	19.05×25.40~19.05×28.58		84	71.5	128.5	92	51			100
	10×20	6.35*×9.52									
SRV- 710B	10×10	22.22×28.58~22.22×31.75		94	81.5	129	94	61			50
	10×20	6.35*×12.70~12.70×19.05									
SRV- 811B	10×10	25.40×31.75~25.40×34.92		94	81.5	138	102	61			50
	10×20	15.88×19.05									
SRV- 912B	10×10	28.58×34.92~28.58×38.10		94	81.5	144	108	61			50
	10×20	19.05×19.05									
SRV-1012B	10×10	28.58×38.10~25.40×41.28		103	90.5	155	119	70			50
	10×20	15.88×28.58									
SRV-1114B	10×10	31.75×38.10~34.92×44.45	113	100.5	159	123	80	50			
	10×20	19.05×38.10									

*Insulation thickness : 8mm

PIPE SUPPORT

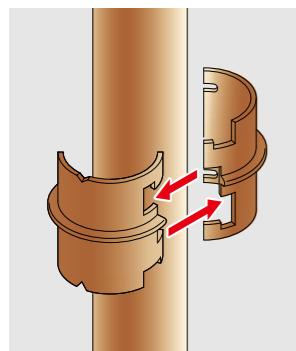


Features

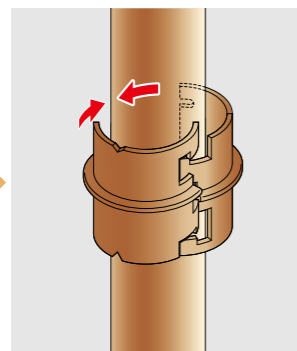
Severe stress at the lower end of the pipe run results in bulking or deformation due to a combination of thermal expansion and gravity. INABA DENKO piping support "TK" is a professional solution for vertical piping installations.

Suitable for both new installation and retrofit

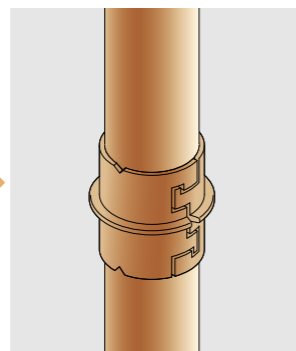
Because the pipe support ferrule is halved, PIPE SUPPORT can easily be fitted onto the riser and adjusted after the pipe system has been installed.



Split ferrule design makes it easy to fit and adjust onto the riser piping.



Ferrule allows temporary fixing without slippage.



To fix the pipe support completely, brazing is necessary.

<https://www.inaba-denko.com/en/>

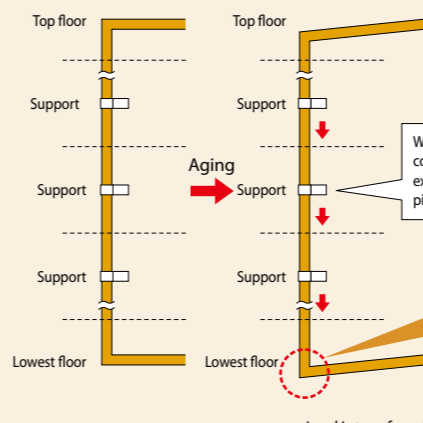
Reduces gravity loading on vertical riser
Unlike conventionally supported vertical riser installation, PIPE SUPPORT is brazed to the vertical copper riser and reduces the loading created by the weight of the pipe system.

Reduces extra stress on vertical riser due to thermal expansion by 50%
In conventional installations, the lowest elbow of the pipe system carries the full load of the pipe itself plus the extra stresses imposed by thermal expansion. Installing PIPE SUPPORT in the center of the vertical riser reduces the load created by the system components as well as the thermal expansion by 50%.

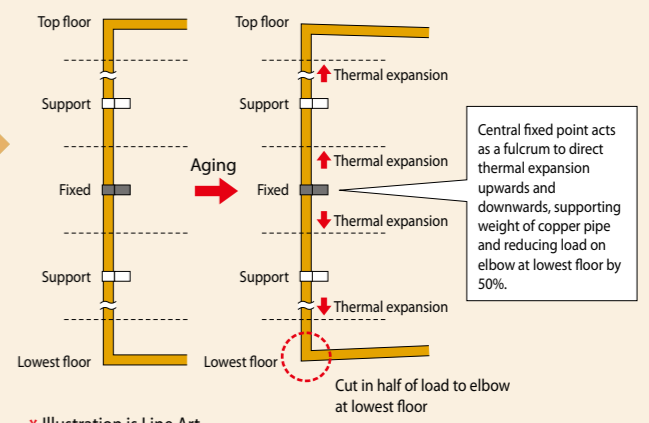
Temporary fixing
Pipe support allows temporary fixing to facilitate brazing without slippage.

Easily adjustable
Slotted holes on bracket allows precise adjustments.

Conventional Installation



Typical Installation with PIPELOCK

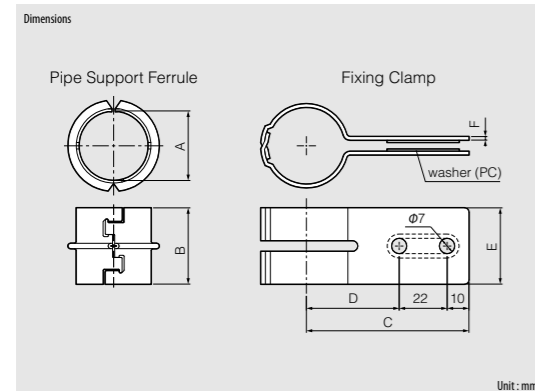
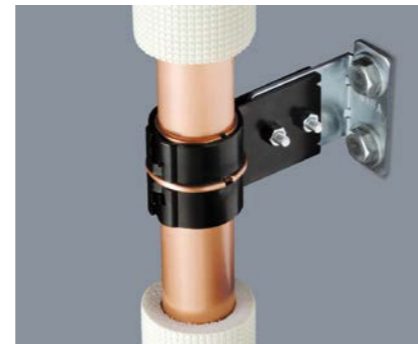
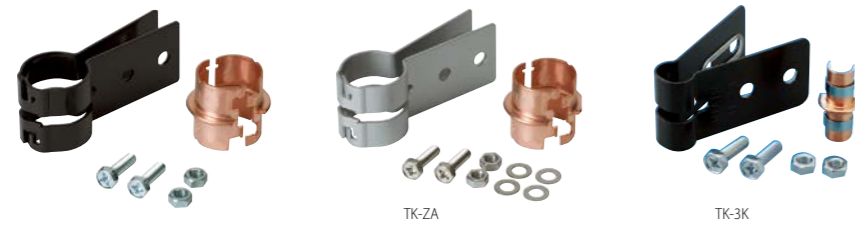


* Illustration is Line Art. When using PIPE SUPPORT, provision for thermal expansion is still required.

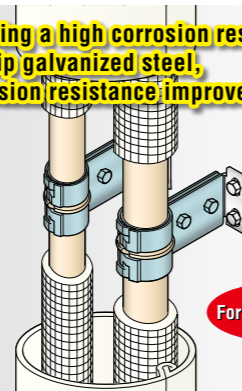
<https://www.inaba-denko.com/en/>

TK/TK-ZA PIPE SUPPORT [Pipe Support Ferrule + Fixing Clamp]

Stress Relieving Bracket/Clamp System for vertical riser pipes in A/C systems



By using a high corrosion resistant hot dip galvanized steel, corrosion resistance improved!



- Specifications**
- Material
Pipe Support Ferrule: Body... C1220
Hook... SUS301-CSP
 - Fixing Clamp:
TK... SPHC (Powder coated)
TK-ZA... ZAM
(High Grade Corrosion Resistant Hot Dip Galvanized Steel Sheet ZAM)
 - Attached Screw
TK
Hex bolt M6x20L... 2 pcs (Unichrome)
Hex nut M6... 2 pcs (Unichrome)
TK-ZA
Hex bolt M6x20L... 2 pcs (Stainless)
Hex nut M6... 2 pcs (Stainless)
Plain washer M6... 2 pcs (Stainless)

Item No.	Compliant pipe size	A	B, E	C	D	F	Pcs/Pkg	
TK- 3K *	φ 9.52	9.60	35	63.4	31.4	1.0	20	
TK- 4KN	φ12.70	12.81		64.8	32.8	1.6		
TK- 5KN	φ15.88	16.00		66.4	34.4			
TK- 6KN	φ19.05	19.19		68.0	36.0			
TK- 7KN	φ22.22	22.36		69.6	37.6			
TK- 8KN	φ25.40	25.56		71.4	39.4			
TK- 9KN	φ28.58	28.75		73.0	41.0			
TK-10KN	φ31.75	31.93		74.6	42.6			
TK-11KN	φ34.92	35.11		76.5	44.5			2.0
TK-12KN	φ38.10	38.31		78.1	46.1			
TK-13KN	φ41.28	41.50	79.6	47.6				
TK-14KN	φ44.45	44.68	81.2	49.2				
TK-16KN	φ50.80	51.03	84.4	52.4				
TK-17KN	φ53.98	54.22	86.0	54.0				

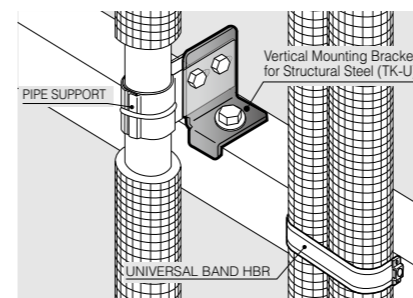
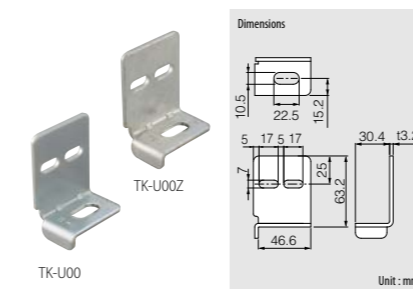
*The shape and installation method of TK-3K is different from other sizes.

Item No.	Compliant pipe size	A	B, E	C	D	F	Pcs/Pkg	
TK- 3K-ZA *	φ 9.52	9.60	35	63.4	31.4	1.0	20	
TK- 4KN-ZA	φ12.70	12.81		64.8	32.8	1.6		
TK- 5KN-ZA	φ15.88	16.00		66.4	34.4			
TK- 6KN-ZA	φ19.05	19.19		68.0	36.0			
TK- 7KN-ZA	φ22.22	22.36		69.6	37.6			
TK- 8KN-ZA	φ25.40	25.56		71.4	39.4			
TK- 9KN-ZA	φ28.58	28.75		73.0	41.0			
TK-10KN-ZA	φ31.75	31.93		74.6	42.6			
TK-11KN-ZA	φ34.92	35.11		76.5	44.5			2.0
TK-12KN-ZA	φ38.10	38.31		78.1	46.1			
TK-13KN-ZA	φ41.28	41.50	79.6	47.6				
TK-14KN-ZA	φ44.45	44.68	81.2	49.2				
TK-16KN-ZA	φ50.80	51.03	84.4	52.4				
TK-17KN-ZA	φ53.98	54.22	86.0	54.0				

*The shape and installation method of TK-3K is different from other sizes.

TK-U VERTICAL MOUNTING BRACKET FOR STRUCTURAL STEEL

For reduced clearance from wall surface



Item No.	Pcs/Pkg
TK-U00	100

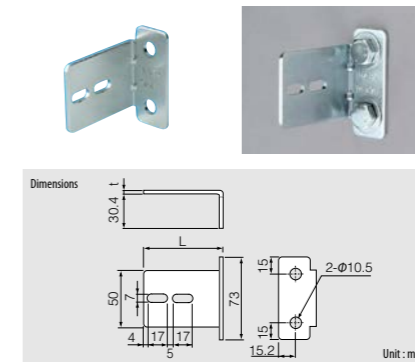
*Material... SPHC (Unichrome)

Hot-Dip Galvanized Type

Item No.	Pcs/Pkg
TK-U00Z	100

*Material... SPHC (Hot-dip galvanized equivalent to HDZ35)

TK-K DIRECT MOUNT HORIZONTAL WALL BRACKET



Indoor Use Type

Item No.	L	t	Pcs/Pkg
TK-K 60	60	3.2	100
TK-K 70	70		
TK-K 80	80		
TK-K 90	90		
TK-K100	100		

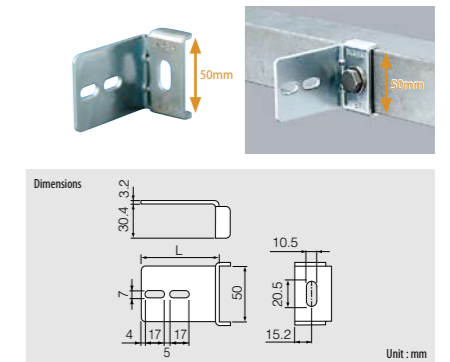
*Material... SPHC (Unichrome)

Outdoor Use Type

Item No.	L	t	Pcs/Pkg
TK-K 60-SUS	60	3.0	100
TK-K 70-SUS	70		
TK-K 80-SUS	80		
TK-K 90-SUS	90		
TK-K100-SUS	100		

*Material... SUS304

TK-B UNIVERSAL HORIZONTAL BRACKET For 50mm width



Item No.	L	Pcs/Pkg
TK-B 60	60	100
TK-B 70	70	
TK-B 80	80	
TK-B 90	90	
TK-B100	100	

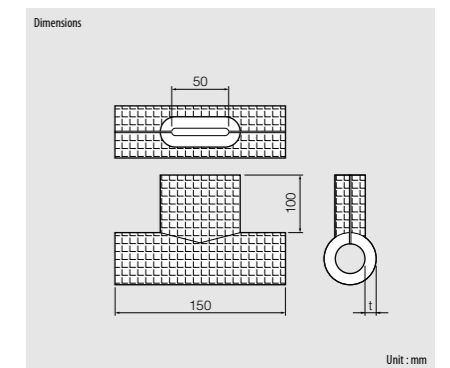
*Material... SPHC (Unichrome)

Hot-Dip Galvanized Type

Item No.	L	Pcs/Pkg
TK-B 60Z	60	100
TK-B 70Z	70	
TK-B 80Z	80	
TK-B 90Z	90	
TK-B100Z	100	

*Material... SPHC (Hot-dip galvanized equivalent to HDZ35)

TK-H INSULATION



Item No.	Compliant PIPE SUPPORT	Insulation thickness t
TK- 3SH	TK- 3K	10
TK- 4SH	TK- 4K	
TK- 5SH	TK- 5K	
TK- 6SH	TK- 6K	
TK- 7SH	TK- 7K	
TK- 8SH	TK- 8K	
TK- 9SH	TK- 9K	
TK-10SH	TK-10K	
TK-11SH	TK-11K	
TK-12SH	TK-12K	
TK-13SH	TK-13K	15
TK-14SH	TK-14K	
TK-16SH	TK-16K	
TK-17SH	TK-17K	

Item No.	Compliant PIPE SUPPORT	Insulation thickness t
TK- 3DH	TK- 3K	20
TK- 4DH	TK- 4K	
TK- 5DH	TK- 5K	
TK- 6DH	TK- 6K	
TK- 7DH	TK- 7K	
TK- 8DH	TK- 8K	
TK- 9DH	TK- 9K	
TK-10DH	TK-10K	
TK-11DH	TK-11K	
TK-12DH	TK-12K	
TK-13DH	TK-13K	20
TK-14DH	TK-14K	
TK-16DH	TK-16K	
TK-17DH	TK-17K	

*Material... Chemically cross linked polyethylene foam with an expansion factor of 30 enclosed by a plastic film with an embossed surface.

SEISMIC RESTRAINT

V - Type D - Type

Spring loaded seismic restraint clips for AC unit.
Applicable to 3/8 and 1/2 threaded rod.

STEP 1

No need to disassemble

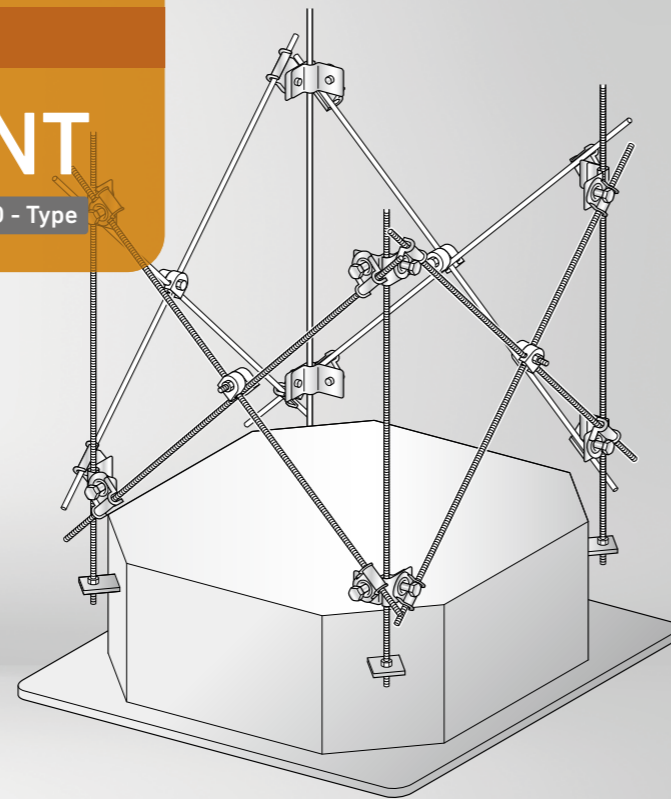
Snap the body to the main threaded rod.

STEP 2

Snap the arm to crossed threaded rod.

STEP 3

Tighten with electrical driver.



SEISMIC RESTRAINT

C - Type E - Type

Spring loaded seismic restraint clips for any other mechanical equipment

STEP 1

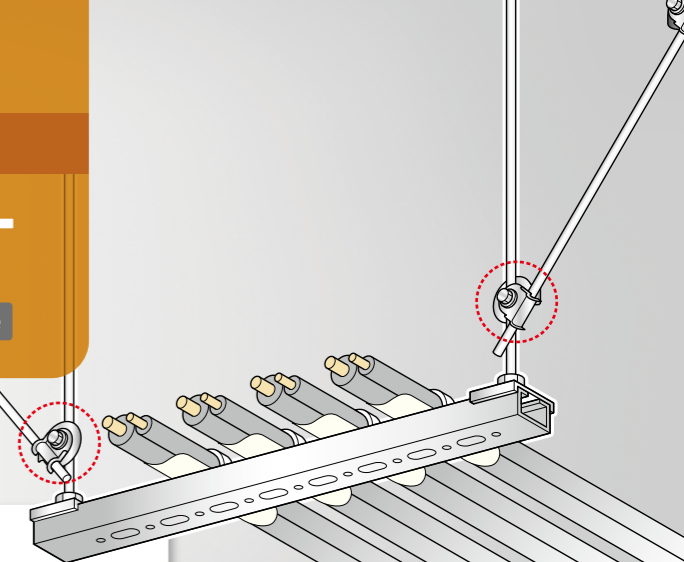
Spring load mechanism will ease the installation.

STEP 2

Snap the arm to crossed threaded rod.

STEP 3

Tighten with electrical driver.

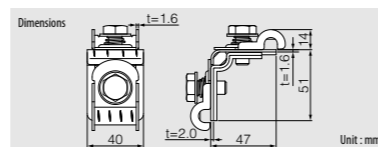


FL-V V - Type

Attachment for bolt fixing
Cross Installation



Caution
• Use only with W3/8 threaded rod.
Do not use for other sizes.



Item No.	Applicable threaded rod	A	B	C	D	Pcs/Pkg
FL-V	W3/8	47	51	14	40	80
FL-V-4	W1/2	63	64	20	50	40

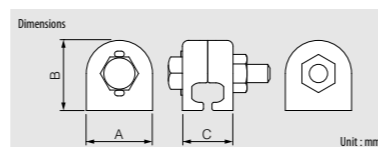
FL-D D - Type

Attachment for bolt fixing
Cross Installation



Contents
• Metal (nut side) ... 1pc
• Metal (bolt side) ... 1pc
• Hexagon bolt W3/8x45L ... 1pc
• W3/8 nut ... 1pc

Caution
• Use only with W3/8 threaded rod.
Do not use for other sizes.



Item No.	Applicable threaded rod	A	B	C	Pcs/Pkg
FL-D	W3/8	34	36	26	80
FL-D-4	W1/2	39	43	34	80

FL-VS PACKAGED KIT

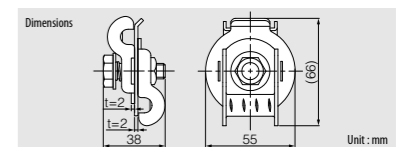
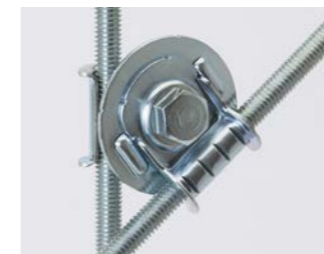
Packaged kit for one AC unit



Item No.	Items included	Pcs/Pkg
FL-VS	FL-Vx8pc, FL-Dx4pc	8
FL-VS-4	FL-V-4x8pc, FL-D-4x4pc	4

FL-C C - Type

Single arm clip for crossing

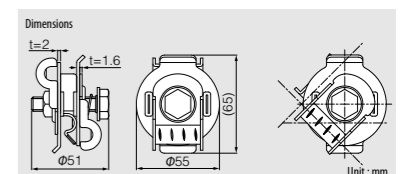


Item No.	Applicable threaded rod	A	B	C	Pcs/Pkg
FL-C	W3/8	55	60	38	100
FL-C-4	W1/2	64	70	38	50

*Material ... Unichrome Finish

FL-CW CW - Type

Double arm clip for crossing

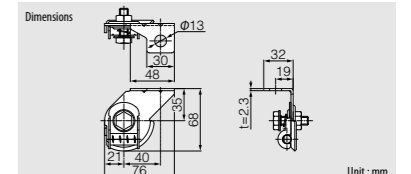


Item No.	Applicable threaded rod	Pcs/Pkg
FL-CW	W3/8	50

*Material ... Unichrome Finish

FL-E E - Type

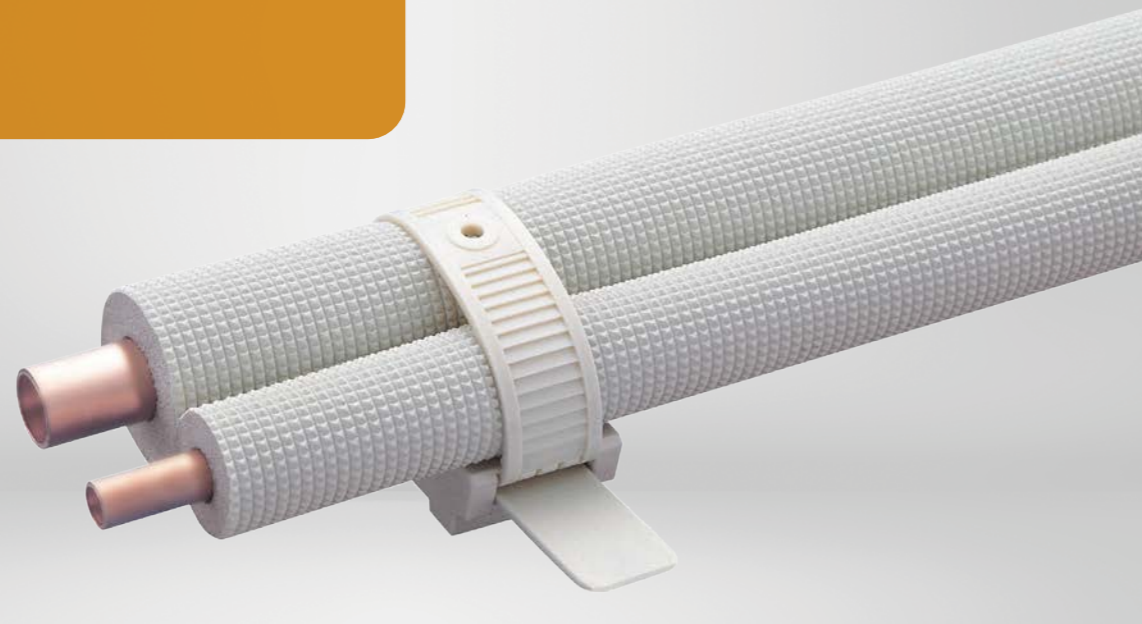
Single arm clip for ceiling



Item No.	Applicable threaded rod	Pcs/Pkg
FL-E	W3/8	50

*Material ... Unichrome Finish

BIGTIE



Wide plastic pipe tie.

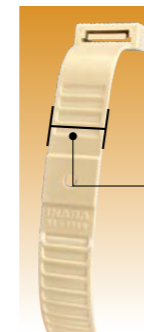
CONVENIENT

Available in small packages for convenience on the go.



WIDE

Distributes the pressure on the insulation surface without causing insulation damage.



Width
20mm

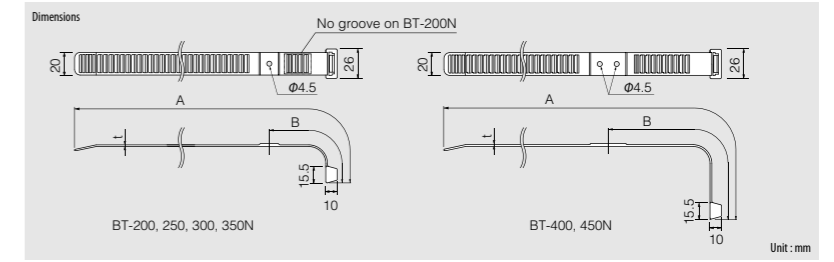
ADJUSTABLE

Use a flat head screw driver to press on the bar release the lock and adjust the tie. (Intended for single use)



<https://www.inaba-denko.com/en/>

BT BIGTIE



Item No.	Binding diameter	Copper pipe applicable guide	A	B	t	Pcs/Pkg*
BT-200N	φ20 ~ φ 50	6.35× 9.52 (Insulation thickness 8mm)	200	50	1.4	40packs
BT-250N	φ30 ~ φ 66	9.52×15.88 (Insulation thickness 8×10mm)	250	80	1.4	40packs
BT-300N	φ33 ~ φ 82	12.70×28.58 (Insulation thickness 10mm)	300	90	1.5	20packs
BT-350N	φ40 ~ φ 98	19.05×38.10 (Insulation thickness 10mm)	350	100	1.5	20packs
BT-400N	φ48 ~ φ114	19.05×38.10 (Insulation thickness 10×20mm)	400	150	1.6	20packs
BT-450N	φ54 ~ φ130	22.22×44.45 (Insulation thickness 10×20mm)	450	170	1.6	20packs

*Material ... PP
*20pcs/pack

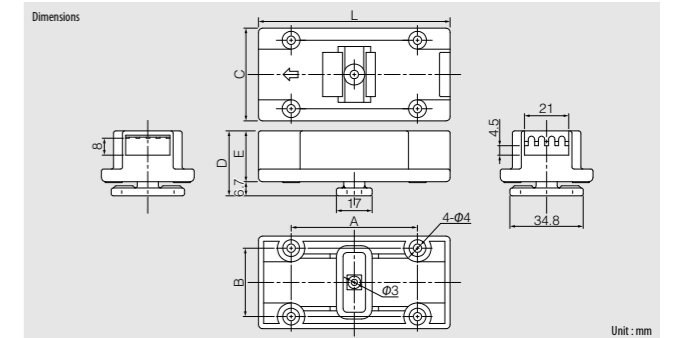
Specifications

- Temperature range ... -10 ~ 50°C
- Working temperature ... 0 ~ 40°C

Caution

- Binding diameter is reduced when BIGTIE is used with BHC Mounting Clip.
- BIGTIE is designed for tying pipes. Do not use with loaded condition such as hanging horizontal piping or supporting vertically.
- Cutting under low temperature may cause crack on the band.
- Make sure to insert the band into the hole appropriately.
- Bigtie can not be used repeatedly.

BHC BIGTIE HOLDER



Item No.	L	A	B	C	D	E	Pcs/Pkg
BHC-1	64	52.5	32.5	44	23.2	16.5	100
BHC-2	78	66.5	32.5	44	23.2	16.5	100
BHC-3	91	60	32.5	44	30.8	24.1	100

*Material ... Body: PP, Hook: ABS

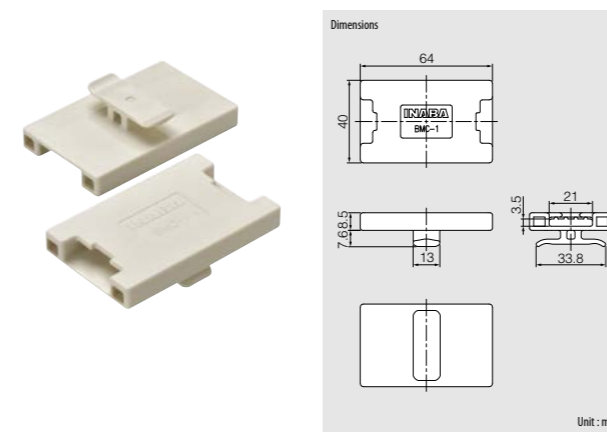
Features

- Bigtie's base to fix onto the strut channel.

Caution

- BT-200 can not be combined with BHC.

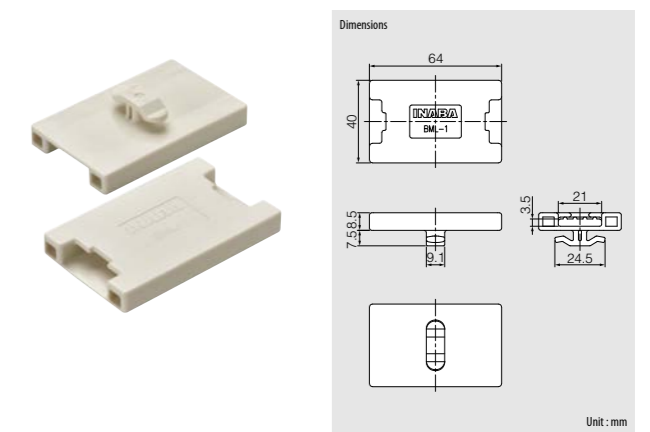
BMC-1 HOLDER FOR STRUT CHANNEL



Item No.	Color Variation	Pcs/Pkg
BMC-1	□	100

*Material ... POM

BML-1 HOLDER FOR THREADED ANGLE



Item No.	Color Variation	Pcs/Pkg
BML-1	□	100

*Material ... POM

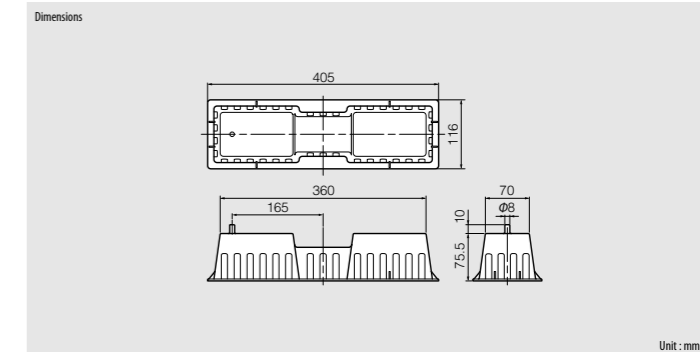
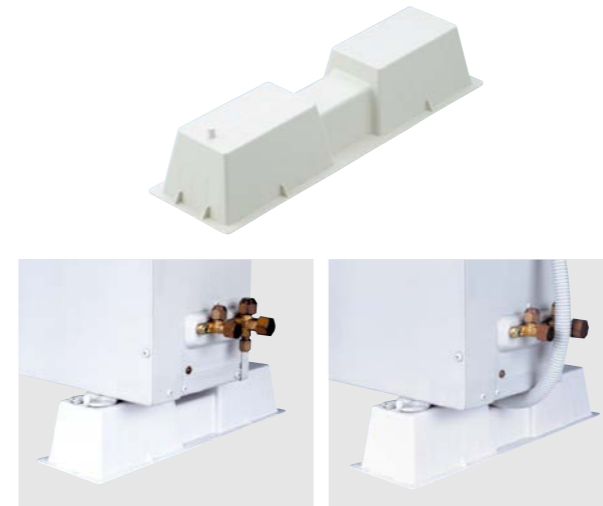
Color Variation: □...White, □...Ivory, □...Gray, □...Brown, □...Black
Pipe Support/Holder & Tying Band

PLAROCK™



Condenser Riser & Bracket PP CONDENSER RISER & ANTI VIBRATION PAD

LC PP CONDENSER RISER



Specifications

- Temperature Range ... -10°C to 50°C (Surface temperature)
- Allowable Load ... 588N (60kgf: When using 2pcs at the level)

Item No.	Color Variation	Pcs/Pkg
LC-360N	■	50

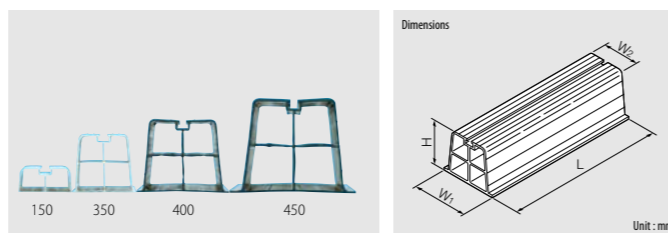
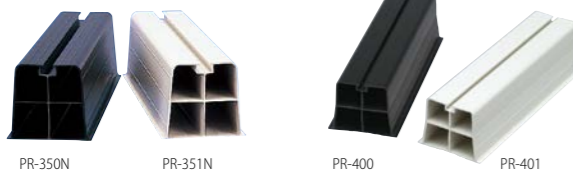
*Material ... PP

PR PLAROCK

Condenser Riser

PR350 Series

PR400 Series

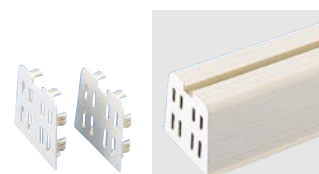


Caution - Use only within a temperature range of -10°C to 50°C

Series	Item No.	Color Variation	Allowable load (N[kgf])	Dimension L×W1×W2×H (mm)	Attached bolt	Pcs/Pkg
150	PR-151	■	1,372[140]	360× 86× 80× 40	Dacrotized	20
	PR-350N	■	1,372[140]	360×100× 80× 95	Dacrotized	20
	PR-351N	■	1,372[140]	360×100× 80× 95	Dacrotized	20
350	PR-350N-M	■	1,765[180]	450×100× 80× 95	Dacrotized	20
	PR-351N-M	■	1,765[180]	450×100× 80× 95	Dacrotized	20
	PR-350N-L	■	3,922[400]	1,000×100× 80× 95	N/A	4
400	PR-351N-L	■	3,922[400]	1,000×100× 80× 95	N/A	4
	PR-400	■	3,922[400]	450×150×110×120	HDZ	6
	PR-401	■	3,922[400]	450×150×110×120	HDZ	6
450	PR-400-L	■	15,691[1,600]	1,800×150×110×120	N/A	1
	PR-450P	■	4,413[450]	450×205×137×154	HDZ	6
	PR-1800P	■	17,652[1,800]	1,800×205×137×154	N/A	1

*Material ... PVC

PRC PLAROCK END COVER



Features

- Clip on cover seals and beautifies open ends of PLAROCK.
- Can be permanently attached with adhesive if required.
- Integral ventilation slots improve thermal resistance.

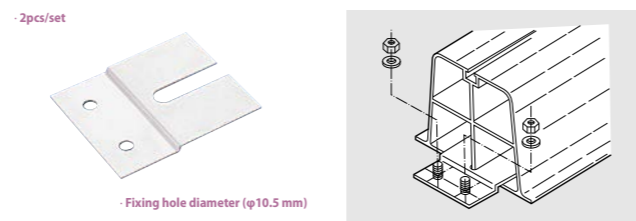
Caution

- Use of adhesive is recommended to ensure permanent attachment.

Item No.	Color Variation	Applicable PLAROCK	Pcs/Pkg*
PRC-350N	■	350N Series	50sets
PRC-351N	■		50sets

*Material ... PVC
*2pcs/set

PR-P PLAROCK RETAINER CLAMP

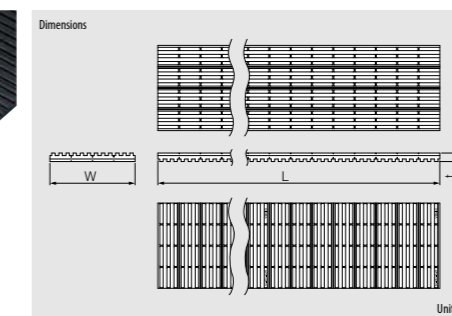
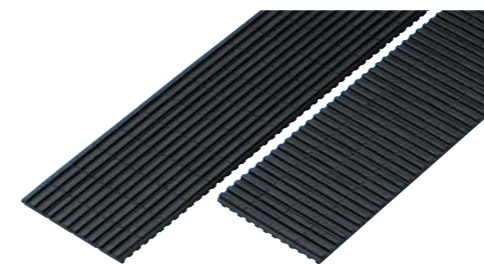


Item No.	Compliant size	L	W	Thickness
PR-P1	400 - 450 Series	120	100	2.3
PR-P2	150 - 350 Series	80	60	2.0

*Material (Surface treatment) ... SS41 (Hot-dip galvanized)
*2 pieces per set, 1 set required per length of PLAROCK.

Color Variation: □...White, □...Ivory, □...Gray, □...Brown, □...Black
<https://www.inaba-denko.com/en/>

GPC ANTI-VIBRATION PAD



Features

- Absorbs vibration and acts as a buffer to reduce noise transmission.
- Surface embossed cut lines at 50mm intervals facilitate cutting to size.
- Interval between each projection is enough and ensures that vibration absorption is not compromised even under heavy loads (projections are designed not to touch each other).
- GP can easily be stacked in layers (with the same item No. only).

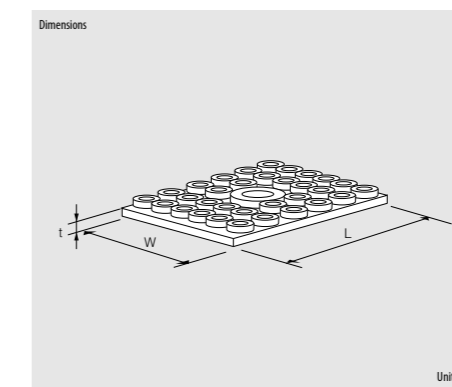
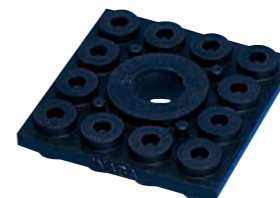
Caution

- Do not apply this product directly to any PVC floor material as plasticizer ingredient may cause discoloration.

Item No.	Color Variation	Width (W)	Length (L)	Thickness (t)	Pcs/Pkg
GPC-100-10	■	100	1000	10	20
GPC-100-12	■	100	1200	10	20
GPC-150-10	■	150	1000	10	10
GPC-300-03	■	300	300	10	20
GPC-100T15-10	■	100	1000	10	10

*Material ... NR + SBR

GPS ANTI-VIBRATION PAD



Features

- Absorbs vibration and acts as a buffer to reduce noise transmission.

Specifications

- Chloroprene rubber is used as material which offers superior weather and thermal resistance.

Item No.	Color Variation	Width (W)	Length (L)	Thickness (t)	Hole Diameter	Pcs/Pkg
GPS-50-50	■	50	50	10	φ13	240
GPS-80-80	■	80	80	10	φ13	120
GPS-100-100	■	100	100	10	φ13	60

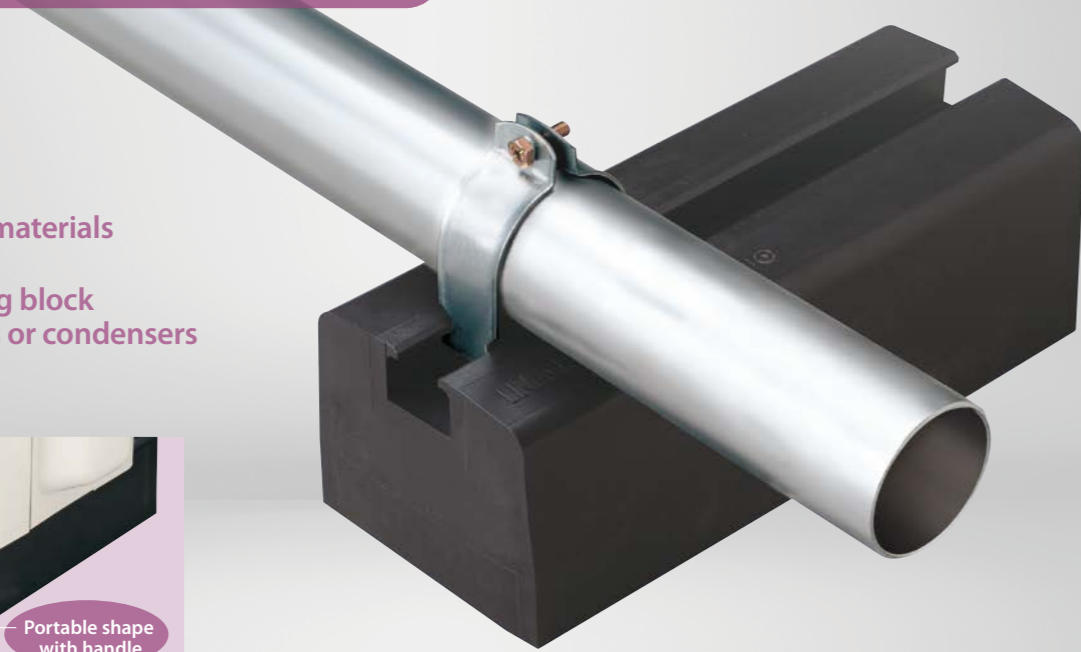
Color Variation: □...White, □...Ivory, □...Gray, □...Brown, □...Black
Condenser Riser & Bracket

RECYCROCK

Eco-friendly
- uses recycled materials

Versatile mounting block
for pipes, cables or condensers

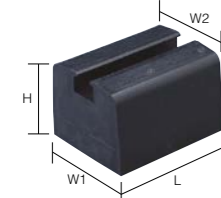
3/8 Rail Type



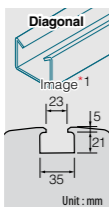
CR RECYCROCK

Multiple use Support System

D Type

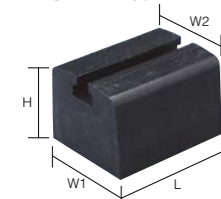


With non-skid rubber sheet

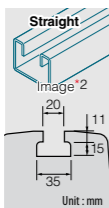


*1 ... Metal rail is not attached.

Hanger Rail Type

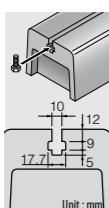
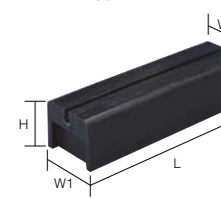


With non-skid rubber sheet



*2 ... Metal rail is not attached.

3/8 Rail Type



Specifications • Temperature Range ... -10°C ~ 50°C
• Material ... Exterior : Recycled resin (PP, PE) / Interior : Eco-concrete / Rubber sheet : Recycled rubber

[CR-D] RECYCROCK - D Type

Item No.	Color Variation	Rubber sheet	Dimension L×W1×W2×H (mm)	Weight	Pcs/Pkg
CR-D0715	■	√	150×120×110× 70	1.4kg	12
CR-D0730	■	√	300×120×110× 70	2.8kg	6
CR-D1015	■	√	150×120×110×100	2.3kg	8
CR-D1030	■	√	300×120×110×100	4.6kg	4
CR-D1045	■	√	450×120×110×100	5.2kg	2
CR-D1060	■	√	600×120×110×100	5.8kg	2

[CR-H] RECYCROCK - Hanger Rail Type

Item No.	Color Variation	Rubber sheet	Dimension L×W1×W2×H (mm)	Weight	Pcs/Pkg
CR-H0715	■	√	150×120×110× 70	1.4kg	12
CR-H0730	■	√	300×120×110× 70	2.8kg	6
CR-H1015	■	√	150×120×110×100	2.3kg	8
CR-H1030	■	√	300×120×110×100	4.6kg	4

[CR-W] RECYCROCK - 3/8 Rail Type

Item No.	Color Variation	Rubber sheet	Dimension L×W1×W2×H (mm)	Weight	Allowable face load (N[kgf]) ^{*3}	Pcs/Pkg
CR-W1015	■	√	150×120×110×100	2.3kg	7,840 [800]	8
CR-W1040	■	-	400×120×110×100	5.0kg	7,840 [800]	2
CR-W1050	■	-	500×120×110×100	5.4kg	7,840 [800]	2
CR-W1060	■	-	600×120×110×100	5.8kg	7,840 [800]	2

*3 ... Allowable face load is calculated on equal loading over 100% of surface area.

[CR-BZ] BOLT SET for 3/8 Rail Type

Item No.	Color Variation	Contents	Pcs/Pkg
CR-BZ	■	W3/8 Hex bolt (L45 HDZ) × 2 pcs, W3/8 Hex bolt (HDZ) × 2 pcs, W3/8 Washer (HDZ) × 2 pcs	10sets

Color Variation: □...White, □...Ivory, □...Gray, ■...Brown, ■...Black
<https://www.inaba-denko.com/en/>

Tape/Sleeve TAPE

HF ADHESIVE TAPE [Standard Thickness]



Item No.	Color Variation	Size (W×L)	Thickness	Pcs/Pkg
HF-0191-B	■	19mm×10m	0.2mm	200
HF-0191-NI	New Ivory	19mm×10m		200
HF-50	□ □ □ □ ■	50mm×20m		80
HF-50-NI	New Ivory	50mm×20m		80

*Material ... PVC

HV ADHESIVE TAPE [Reduced Thickness]



Features

• Thinner than the above HF series, improved flexibility allows ease of application.

Item No.	Color Variation	Size (W×L)	Thickness	Pcs/Pkg
HV-50-I	□	50mm×20m	0.18mm	80
HV-25-I	□	25mm×20m	0.18mm	200

*Material ... PVC

HY New Non-Adhesive Tape NEOPITA TAPE



Features

• Specially formulated non-adhesive tape will not unroll by itself even if dropped during application. See picture on left.

Will not unroll by itself

Item No.	Color Variation	Size (W×L)	Thickness	Pcs/Pkg
HY-50-I	□	50mm×18m	0.12mm	120
HY-50-NI	New Ivory	50mm×18m	0.12mm	120
HY-75-I	□	75mm×18m	0.12mm	80

Item No.	Color Variation	Size (W×L)	Thickness	Pcs/Pkg
HS-50-I	□	50mm×18m	0.12mm	120
HS-75-I	□	75mm×18m	0.12mm	80

*Material ... PVC

HN NON-ADHESIVE TAPE



Ref

Tape color details
• Ivory Color Tapes HY, HF, HV are all similar in color to Ivory, SD & NSD lineset trunking.

Item No.	Color Variation	Size (W×L)	Thickness	Pcs/Pkg
HN-50	□ □ □ □ ■	50mm×18m	0.15mm	120
HN-50-NI	New Ivory	50mm×18m	0.15mm	120
HN-75	□ □ □ ■	75mm×18m	0.15mm	80

Item No.	Color Variation	Size (W×L)	Thickness	Pcs/Pkg
HK-50-I	□	50mm×18m	0.15mm	120
HK-75-I	□	75mm×18m	0.15mm	80

*Material ... PVC

VT VINYL TAPE



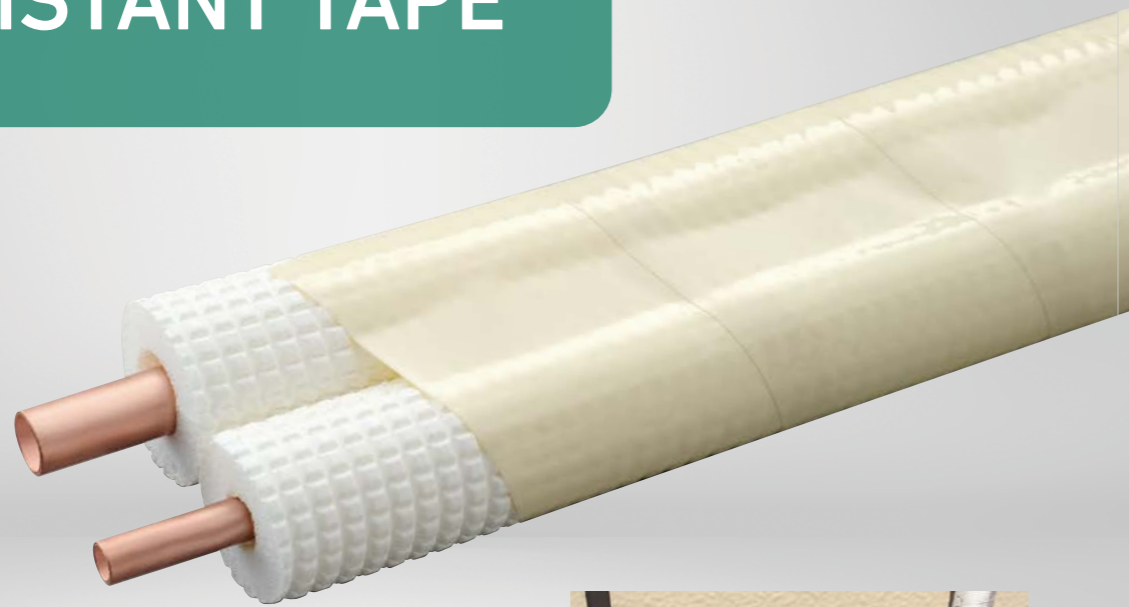
Item No.	Color Variation	Size (W×L)	Thickness	Pcs/Pkg
VT-19×10	□ □ □ □ ■ ■ ■ ■ ■ *	19mm×10m	0.2mm	200
VT-19×20		19mm×20m		200

*Material ... PVC

*Use HF-0191 for 19mm width Brown and New Ivory color.

Color Variation: □...White, □...Ivory, □...Gray, ■...Brown, ■...Black, ■...Yellow, ■...Red, ■...Blue
Tape/Sleeve

UV RESISTANT TAPE



Very Strong Against Sunshine

Protects exposed insulation from the damages of solar UV exposure.

Best choice to cover the exposed insulation !

Same UV resistant performance as our New UV Resistant P.E. insulated copper tube.

3-times performance of Weather Resistance compared with our previous product.

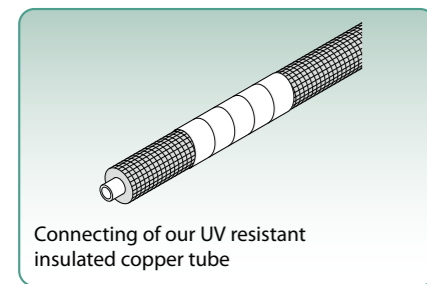
*according to the actual measurement by our internal test.

Tight Grip

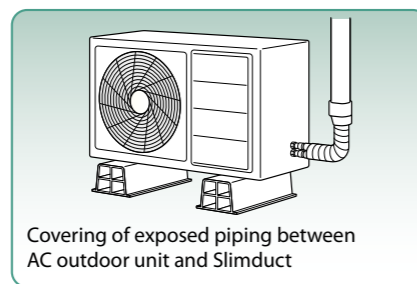
Fits perfectly into the embossed insulation surface.



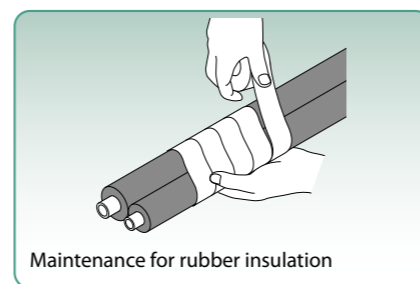
Insulation without UV protection damaged by solar UV exposure



Connecting of our UV resistant insulated copper tube



Covering of exposed piping between AC outdoor unit and Slimduct



Maintenance for rubber insulation

UVT-50 UV RESISTANT TAPE



If without any protection, normal insulation will rag against sunshine UV rays. That damaged insulation will cause condensation problem or poor performance of AC.

Item No.	Color Variation	Size (W×L)	Pcs/Pkg
UVT-50-I	□	50mm×20m	24
UVT-25-I	■	25mm×20m	48

*Material ... Polyethylene

Color Variation: □...White, □...Ivory, □...Gray, ■...Brown, ■...Black
<https://www.inaba-denko.com/en/>

Tape/Sleeve INSULATION JOINT ADHESIVE TAPE JTA

JTA INSULATION JOINT ADHESIVE TAPE



Upgraded workability by easy stripping exfoliation paper !

Others

INABA

Adhesive is not strong. Does not withstand the thermal shrinkage force, and detaches from the jointing point.

High strength adhesive keeps jointing point connected. Fits perfectly into the embossed insulation surface. Features polyester thread in the center for enhanced performance.

Specifications

• Temperature Range ... -10°C to 60°C

How to use

- 1) Remove all the dirt and dust from the surface, and joint the insulations without any gap.
- 2) When taping, make sure joint part of the insulation comes to the center of the tape.
- 3) Wrap a tape around insulation to overlap at least 10mm, and press it with hands to fit into the (uneven) emboss film.

Item No.	Color Variation	Size (W×L)	Pcs/Pkg
JTA-100-I	□	100mm×10m	12

*Material ... Aluminum foil + Polyester string contained tape (center part)

Reference Table for Required Length of Insulation Joint Tape JTA

Compliant Pipe Size	6.35	9.52	12.70	15.88	19.05	22.22	25.40	28.58	31.75	34.92	38.10	41.28	44.45	50.80	53.98
Insulation Thickness 10mm*	85	95	120	130	140	150	160	170	180	190	200	210	220	270	280
Insulation Thickness 20mm	160	170	180	190	205	210	220	230	240	250	265	275	280	305	315

*Insulation thickness for pipe size 6.35mm and 9.52mm is 8mm, and the one for 50.80mm and 53.98mm is 15mm.

*The figures in the table are for reference purpose. Lengths may differ from table due to insulation's outer diameter. When applying, adjust the length according to actual insulation.

DHF INSULATED ADHESIVE TAPE

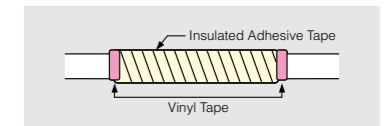


Features

- Suitable for condensation prevention at pipe jointing part.
- With exfoliation paper to keep adhesive strength.

Caution

- Please fix both ends of insulated adhesive tape by vinyl tape to prevent insulated adhesive tape from peeling off.



Item No.	Color Variation	Size (W×L)	Insulation thickness	Pcs/Pkg
DHF-50-LG	Light Grey	50mm×3m	4mm	60

*Material ... Chemical cross-linked 30 times foamed polyethylene (JIS A9511 A-PE-C-2 Standard / Insulation thermal resistance up to 120°C)

DHV INSULATED ADHESIVE TAPE



Features

- It can be used easily in several ways to prevent condensation, such as for partial additional taping because this tape itself is made by insulation material.

Caution

- Please fix both ends of insulated adhesive tape by vinyl tape to prevent insulated adhesive tape from peeling off.
- Please keep away from direct sunshine and keep at cool place.

Item No.	Size (W×L)	Insulation thickness	Pcs/Pkg
DHV- 5010	50mm×10m	3mm	12
DHV- 5020	50mm×20m	3mm	12
DHV- 7510	75mm×10m	3mm	8
DHV- 7520	75mm×20m	3mm	8
DHV-10010	100mm×10m	3mm	6
DHV-10020	100mm×20m	3mm	6

*Material ... Chemical cross-linked 30 times foamed polyethylene. (JIS A9511 A-PE-C-1 Standard / Insulation thermal resistance up to 70°C)

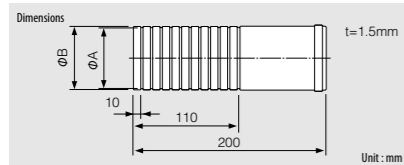
Color Variation: □...White, □...Ivory, □...Gray, ■...Brown, ■...Black
 Tape/Sleeve

Tape/Sleeve WALL SLEEVE

FP PLAIN WALL SLEEVE



Typical installation in combination with WC WALL CAP

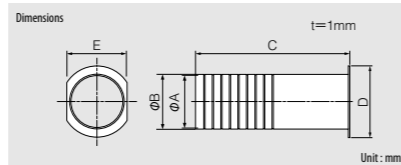


Features
• Cutmarks embossed at 1cm intervals on sleeve surface facilitate cutting to correct length.

Item No.	Color Variation	Applicable WALL CAP	A (I.D.)	B (O.D.)	I.D. in combination with UWC	I.D. in combination with WC	Core drill diameter	Pcs /Pkg
FP-60N	□	WC-60N,UWC-60	61.5	63.5	58	57	65	100
FP-65N	□	WC-65N,UWC-65	66.5	68.5	63	62	70	100
FP-75N	□	WC-75N	75.5	78.5	-	71	80	100

*Material ... PE

FPW FLANGED WALL SLEEVE



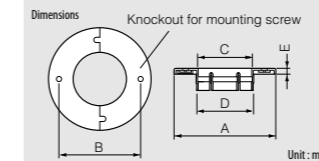
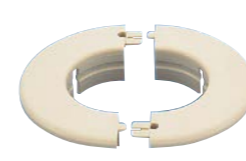
Features
• Cutmarks embossed at 1cm intervals on sleeve surface facilitate cutting to correct length.
• Integral flange prevents the sleeve from dropping to wall cavity.
• Can be used with WC & UWC WALL CAP.

Item No.	Color Variation	A (I.D.)	B (O.D.)	C	D	E	Core drill diameter	Pcs /Pkg
FPW-60	□	61.5	63.5	180	83.5	70	65	100
FPW-65	□	66.5	68.5	200	88.5	76	70	50
FPW-70	□	71.5	73.5	200	93.5	81	75	50

*Material ... PE+PP *Color ... Ivory (Silky White)

Tape/Sleeve WALL CAP

WC WALL CAP



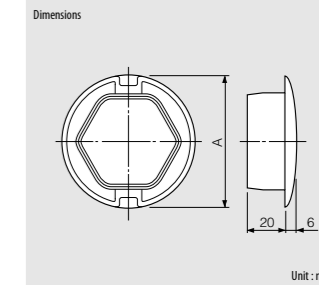
Features
• Split construction ensures ease of installation.
• Use in combination with FP-60N, FP-65N, FP-75N.
• Locking tab snaps off to provide holes for extra mounting screws.
• Scored line facilitates trimming of flange to fit into tight spaces.

Caution
• Joint, fixing and penetration points must be waterproofed with caulk or putty.

Item No.	Color Variation	A	B	C (I.D.)	D (O.D.)	E	Pcs/Pkg
WC-60N-I	□	112	96	57	61.5	6	200
WC-65N-I	□	117	98	62	66.5	6	200
WC-75N-I	□	127	105	71	75.5	6	200
WC-65-W	□	117	98	62	66.5	3	200

*Material ... PP

WM WC HOLE COVER



Features
• Use in combination with WC-60, WC-65 or WC-75.

Item No.	Color Variation	A	Pcs/Pkg
WM-60-I	□	70	100
WM-65-I	□	76	100
WM-75-I	□	86	100
WM-65-W	□	76	100

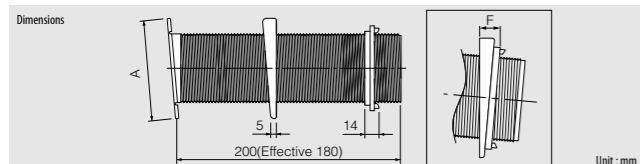
*Material ... EVA

FPS FLANGED WALL SLEEVE



Features
• Integral 5° slope ensures correct pitch for drain line.
• Sleeve is easily secured tightly onto wall by tightening locknut.

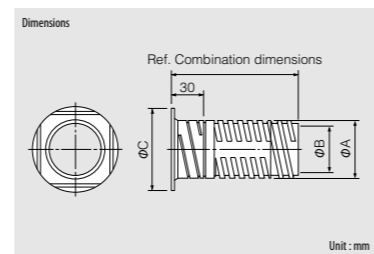
Caution
• Joint, fixing and penetration points must be waterproofed with caulk or putty.
• When drilling hole in the wall, take into account wall thickness as well as slope to ensure that 5° pitch is maintained.



Item No.	Color Variation	A	I.D.	Core drill diameter	Effective length(max)	F	Pcs /Pkg
FPS-85	□	130.0	84.5	φ95	180mm	23	10

*Material ... PE

NFP NEW WALL SLEEVE



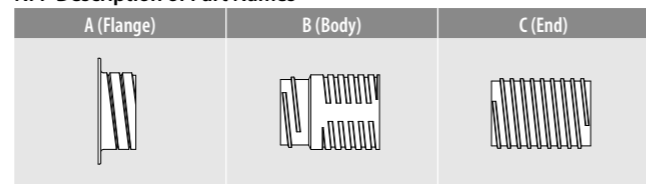
Features
• Length is adjustable between 100mm ~ 180mm without cutting.
• Wide flange allows penetration with slope up to 5°.
• Unitary construction is easy to caulk and prevents water and pest damage.

Caution
• Joint, fixing and penetration points must be waterproofed with caulk or putty.
• Cannot adjust for lengths between 105mm ~ 127mm.

Item No.	Color Variation	A (O.D.)	B (I.D.)	C	Core drill diameter	Pcs /Pkg
NFP-60	□	61.5	50.5	85	65	100
NFP-65	□	66.5	55.5	90	70	100
NFP-75	□	76.5	65.5	100	80	50

*Material ... PE

NFP Description of Part Names



Combination Dimensions

Parts Combination	Adjustable Length	NFP Required Q'ty
A+B	99mm~105mm	1 set
A+C	127mm~180mm	1 set
A+B+C	196mm~255mm	2 sets
A+B+B+C	265mm~330mm	3 sets

*Minimum 24mm overlap is required for each component when assembling.
*To attach NWC WALL CAP to part B or C, adjust sleeve to exact thickness of wall.
*To replace part A with NWC WALL CAP, reduce sleeve length to 10mm less than wall thickness.

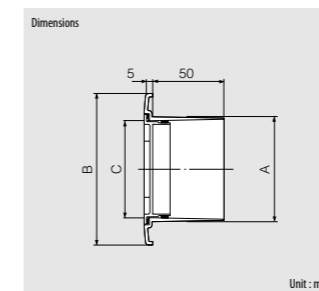
NFP-S NEW WALL SLEEVE KIT



Item No.	Color Variation	Contents	Pcs /Pkg
NFP-60S	□	NFP-60+(NWC-60+NWC-C)×2	30
NFP-65S	□	NFP-65+(NWC-65+NWC-C)×2	30
NFP-75S	□	NFP-75+(NWC-75+NWC-C)×2	30

Color Variation: □...White, □...Ivory, □...Gray, □...Brown, □...Black
<https://www.inaba-denko.com/en/>

AC A/C CAP



Caution
• Joint, fixing and penetration points must be waterproofed with caulk or putty.

Item No.	Color Variation	Applicable pipe (I.D.×O.D.)	A	B	C	Pcs/Pkg
AC-67	□	VP-65 (67×76)	66.5	89	58.5	50
AC-75	□	SU-75 (75×80)	74.5	108	67.0	50
AC-100	□	SU-100 (100×106) VP-100 (100×114)	99.0	130	91.0	50

*Material ... ABS *Color ... Ivory (Silky White)

AP SEALANT PUTTY for A/C



Features
• All weather, fire retardant non-drying putty with superior adhesion.
• Temperature range: -20°C~50°C
• Working temperature: 5°C~40°C
* Putty will harden below 5°C, always heat before use at this temperature.

Caution
• Oil in putty may stain wallpaper if in direct contact. Use WALL CAP (WC) or A/C CAP (AC) to separate putty from wall surface.

① Open the bag and take out the putty. ② Knead the putty by hand. ③ Stuff the putty.



Item No.	Color Variation	Contents	Pcs/Pkg
AP-200	□	200g	100
AP-1000	□	1000g	20

Color Variation: □...White, □...Ivory, □...Gray, □...Brown, □...Black
Tape/Sleeve

WALL BRACKET – Separated Type

Use	For Wall
Item No.	C-BFG-L
Specification / Material	Powder Coating
A/C applicable size	W : Free D : 140 ~ 440
Min. lot	6

Capacity 80 kg

Wall anchorage dimensions
Free $\phi 12 \times 16$
Unit: mm

Caution
• Coach bolts are not included.

Use	For Wall
Item No.	C-BZFG
Specification / Material	Hot-Dip Galvanized
A/C applicable size	W : Free D : 100 ~ 330
Min. lot	6

Capacity 80 kg

Wall anchorage dimensions
Free $\phi 12 \times 16$
Unit: mm

Caution
• Coach bolts are not included.

Use	For Wall
Item No.	C-BZFG-L
Specification / Material	Hot-Dip Galvanized
A/C applicable size	W : Free D : 140 ~ 440
Min. lot	6

Capacity 80 kg

Wall anchorage dimensions
Free $\phi 12 \times 16$
Unit: mm

Caution
• Coach bolts are not included.

WALL BRACKET

Use	For Wall
Item No.	C-KG
Specification / Material	A highly corrosion resistant hot dip galvanized steel + Powder Coating
A/C applicable size	W : 70 ~ 940 D : 160 ~ 340
Min. lot	4

Capacity 80 kg

Wall anchorage dimensions
 $\phi 11 \times 81$
 $\phi 11 \times 21$
Unit: mm

Hang vertical bar from the front.

Use	For Wall
Item No.	IC-KG-L
Specification / Material	A highly corrosion resistant hot dip galvanized steel + Powder Coating
A/C applicable size	W : 70 ~ 940 D : 160 ~ 400
Min. lot	4

Capacity 80 kg

Wall anchorage dimensions
 $\phi 11 \times 81$
 $\phi 11 \times 21$
Unit: mm

Hang vertical bar from the front.

Use	For Wall
Item No.	C-KZG-L
Specification / Material	Hot-Dip Galvanized
A/C applicable size	W : 70 ~ 940 D : 160 ~ 400
Min. lot	4

Capacity 80 kg

Wall anchorage dimensions
 $\phi 11 \times 81$
 $\phi 11 \times 21$
Unit: mm

Hang vertical bar from the front.

SLOPED ROOF BRACKET

Use	For Sloped Roof
Item No.	C-YG
Specification / Material	A highly corrosion resistant hot dip galvanized steel + Powder Coating
A/C applicable size	W : 300 ~ 700 D : 180 ~ 330
Min. lot	4

Capacity 80 kg

Pitch of roof 14° ~ 30°
25/10 ~ 58/10
Mild slope
Level ~ 3/10

Can be adjusted for mild slope (0° ~ 17°) by assembling the frame upside down.

Use	For Sloped Roof
Item No.	IC-YUG
Specification / Material	A highly corrosion resistant hot dip galvanized steel + Powder Coating
A/C applicable size	W : 100 ~ 700 D : 160 ~ 340
Min. lot	4

Capacity 80 kg

Pitch of roof 14° ~ 30°
25/10 ~ 58/10

Use	For Sloped Roof
Item No.	IC-YUG-L
Specification / Material	A highly corrosion resistant hot dip galvanized steel + Powder Coating
A/C applicable size	W : 100 ~ 700 D : 160 ~ 400
Min. lot	4

Capacity 80 kg

Pitch of roof 14° ~ 30°
25/10 ~ 58/10

Use	For Sloped Roof
Item No.	C-YUZG-L
Specification / Material	Hot-Dip Galvanized
A/C applicable size	W : 100 ~ 700 D : 160 ~ 400
Min. lot	4

Capacity 80 kg

Pitch of roof 14° ~ 30°
25/10 ~ 58/10

SLAB STAND

Use	For Flats
Item No.	IC-NG
Specification / Material	A highly corrosion resistant hot dip galvanized steel + Powder Coating
A/C applicable size	W : 300 ~ 700 D : 160 ~ 340
Min. lot	3

Capacity 80 kg

H300mm Frame clips together for easy assembly

Floor anchorage dimensions
 $\phi 11 \times 25$
Unit: mm

Applicable pitch
0° ~ 32° (Level ~ 3/10)
0° ~ 13° (Level ~ 1/10)

Use	For Flats
Item No.	C-NG-L
Specification / Material	A highly corrosion resistant hot dip galvanized steel + Powder Coating
A/C applicable size	W : 400 ~ 800 D : 200 ~ 380
Min. lot	2

Capacity 80 kg

H300mm Frame clips together for easy assembly

Floor anchorage dimensions
 $\phi 11 \times 25$
Unit: mm

Applicable pitch
0° ~ 28° (Level ~ 3/10)
0° ~ 12° (Level ~ 1/10)

DUPLEX STAND

Use	For Two-Stage Flats
Item No.	C-WG
Specification / Material	A highly corrosion resistant hot dip galvanized steel + Powder Coating
A/C applicable size	W : 300 ~ 700 D : 160 ~ 340
Min. lot	2

Capacity 80 kg

Effective A/C dimensions on 1st step
(Width) 734 (Depth) 314 (Height) 735
Frame clips together for easy assembly

Floor anchorage dimensions
 $\phi 11 \times 25$
Unit: mm

Pitch adjustment
0° ~ 18° (Level ~ 3/10)
Rectangular setting
0° ~ 8° (Level ~ 1/10)

Use	For Two-Stage Flats
Item No.	C-WG-L
Specification / Material	A highly corrosion resistant hot dip galvanized steel + Powder Coating
A/C applicable size	W : 400 ~ 800 D : 200 ~ 380
Min. lot	2

Capacity 80 kg

Effective A/C dimensions on 1st step
(Width) 834 (Depth) 354 (Height) 735
Frame clips together for easy assembly

Floor anchorage dimensions
 $\phi 11 \times 25$
Unit: mm

Pitch adjustment
0° ~ 16° (Level ~ 3/10)
Rectangular setting
0° ~ 7° (Level ~ 1/10)

WALL BRACKET

Use	For Wall
Item No.	PC-KJ30
Specification / Material	Hot-Dip Galvanized
A/C applicable size	W : 400 ~ 800 D : 250 ~ 380
Min. lot	1

Capacity 150 kg

Wall anchorage dimensions
 $\phi 14 \times 64$
Unit: mm

Horizontal adjustment mechanism

Anti-vibration base available

Use	For Wall
Item No.	PC-KJ60
Specification / Material	Hot-Dip Galvanized
A/C applicable size	W : 400 ~ 1,000 D : 300 ~ 430
Min. lot	1

Capacity 150 kg

Wall anchorage dimensions
 $\phi 14 \times 64$
Unit: mm

Horizontal adjustment mechanism

Anti-vibration base available

Use	For Wall
Item No.	PC-BJ30
Specification / Material	Hot-Dip Galvanized
A/C applicable size	W : 400 ~ 800 D : 250 ~ 380
Min. lot	1

Capacity 150 kg

Wall anchorage dimensions
 $\phi 14 \times 64$
Unit: mm

Horizontal adjustment mechanism

Anti-vibration base available

Use	For Wall
Item No.	PC-BJ60
Specification / Material	Hot-Dip Galvanized
A/C applicable size	W : 400 ~ 1,000 D : 300 ~ 430
Min. lot	1

Capacity 150 kg

Wall anchorage dimensions
 $\phi 14 \times 64$
Unit: mm

Horizontal adjustment mechanism

Anti-vibration base available

SLOPED ROOF BRACKET

Use	For Sloped Roof
Item No.	PC-YJ30
Specification / Material	Hot-Dip Galvanized
A/C applicable size	W : 400 ~ 800 D : 250 ~ 380
Min. lot	1

Capacity 150 kg

Pitch of roof 14° ~ 32°
25/10 ~ 62/10

Wall anchorage dimensions
 $\phi 14 \times 64$
Unit: mm

Anti-vibration base available

Use	For Sloped Roof
Item No.	PC-YJ60
Specification / Material	Hot-Dip Galvanized
A/C applicable size	W : 400 ~ 1,000 D : 300 ~ 430
Min. lot	1

Capacity 150 kg

Pitch of roof 13° ~ 30°
23/10 ~ 58/10

Wall anchorage dimensions
 $\phi 14 \times 64$
Unit: mm

Anti-vibration base available

SLAB STAND

Use	For Flats
Item No.	PC-NJ33
Specification / Material	Hot-Dip Galvanized
A/C applicable size	W : 400 ~ 810 D : 250 ~ 410
Min. lot	1

Capacity 200 kg

Height 300mm

Floor anchorage dimensions
 $\phi 15 \times 25$
Unit: mm

Use	For Flats
Item No.	PC-NJ63
Specification / Material	Hot-Dip Galvanized
A/C applicable size	W : 400 ~ 1,010 D : 270 ~ 430
Min. lot	1

Capacity 200 kg

Height 300mm

Floor anchorage dimensions
 $\phi 15 \times 25$
Unit: mm